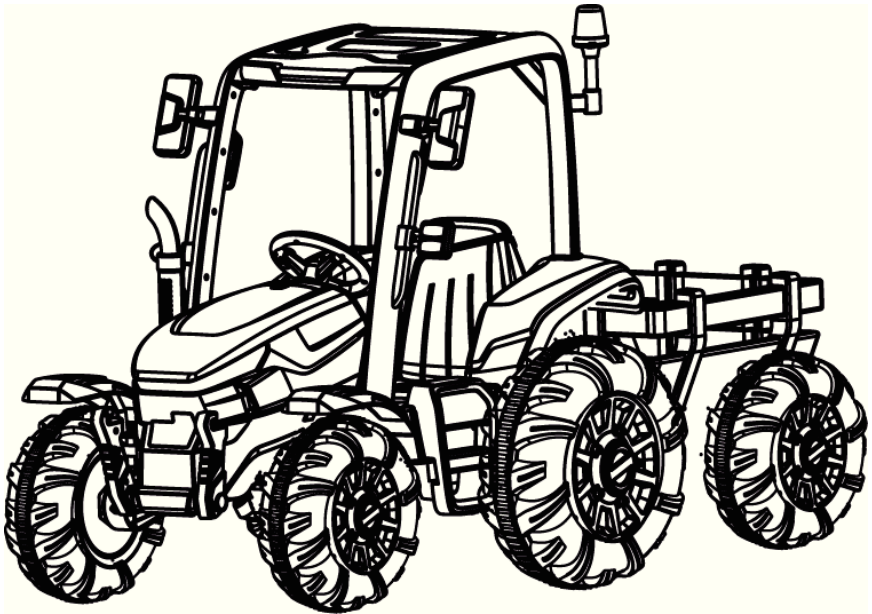


CHILDREN'S ELECTRONIC TOY RIDE-ON

- Suitable for 3+ Years
- Maximum user weight: 30 kg



WARNING

Must be assembled by an adult.

OWNERS MANUAL

with Assembly Instructions

Read and understand this entire manual before using!

Please keep this manual for future reference as it contains important information. Before first time use, charge the battery for at least 4-6 hours, but no more than 10 hours.

On the purchase of your new Ride-On.

This ride-on car will provide your child with many miles of riding of enjoyment. To help assure you and your rider a safe ride we ask you to please read this manual carefully, and keep it for future reference.

Follow the recommendations in this manual, they are designed to improve the safety and operation of your ride-on car and its rider.

Specification

	12V2WD
Battery	12V7AH*1
Charger	12V1000mA
input	Depend on local voltage
Motor	550-12000

- Suitable age:** 3+ Years
- Charge time:** 8-12 hours
- Load capacity:** Under 30 kg
- Size of car:v** 188×81×104.5 CM
- Speed:** 3-8 km/h



BATTERY INFORMATION

- Non-rechargeable batteries are not to be recharged.
- If removable rechargeable batteries are used, they are only to be charged under adult supervision.
- Remove rechargeable batteries from the product before charging.
- Do not mix old and new batteries. Do not mix different types of batteries: alkaline, standard (carbon-zinc) or rechargeable (nickel-cadmium).
- Insert batteries as indicated inside the battery compartment, anode to anode, cathode to cathode.
- Remove batteries during long periods of non-use. Always remove exhausted batteries from the product. Battery leakage and corrosion can damage this product. Dispose of batteries safely.
- Never short circuit the battery terminals.

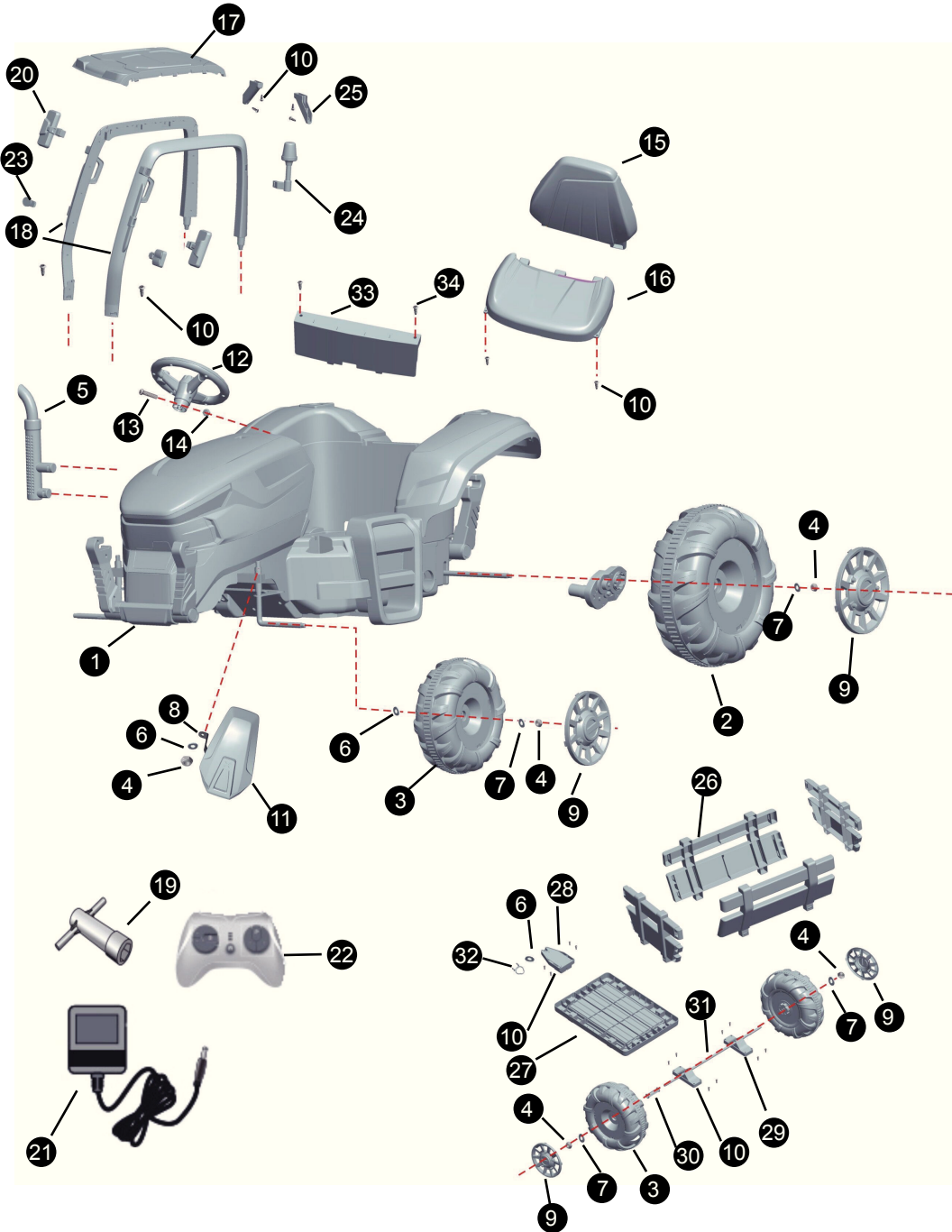
Parts List

2

NO.	PART NAME	Q'TY (PCS)		REMARK
1	Vehicle body		1	
2	Driving wheel		2	
3	Front wheel trailer wheel		4	
4	M10 lock nut		8	
5	Chimney		1	
6	Ø12 washer		5	
7	Ø10 washer		6	
8	Fender support frame		2	
9	Wheel cover		6	
10	Ø4x12 screws		24	
11	Fender		2	
12	Steering wheel		1	
13	M5×35 machine screw		1	
14	Lock nut		1	
15	Seat back		1	
16	Seat		1	
17	Roof		1	
18	Roof support frame		2	
19	M10 Socket wrench		2	
20	Reflector		2	
21	Charger		1	
22	Remote controller		1	
23	Decorative lamp		2	
24	Alarm light		1	
25	Roof connector		2	
26	Rear trailer railing		4	
27	Rear trailer bottom		1	
28	Rear trailer connector		1	
29	Rear trailer wheel fixture		2	
30	Rear trailer wheel limiter		2	
31	Rear trailer axle		1	
32	Clamps		1	
33	Seat front baffle		1	
34	φ4×35 screw		2	

Parts Diagram

HINT: Some parts shown are assembled on both sides of vehicle





PREVENT INJURIES AND DEATHS:

- **NEVER LEAVE CHILD UNATTENDED. ADULT DIRECT SUPERVISION IS REQUIRED.** Always keep child in view when child is in vehicle.
- This toy should be used with caution since skill is required to avoid falls or collisions causing injury to the user or third parties.
- Protective equipment should be worn.
- Never use in roadways, near cars, or on near steep inclines or steps, swimming pools or other bodies of water.
- Always wear shoes, always sit on the seat.
- Not to be used in traffic.
- This toy is unsuitable for children under 36 months due to its maximum speed; Maximum user weight is 30 kg.
- This toy has no brake.



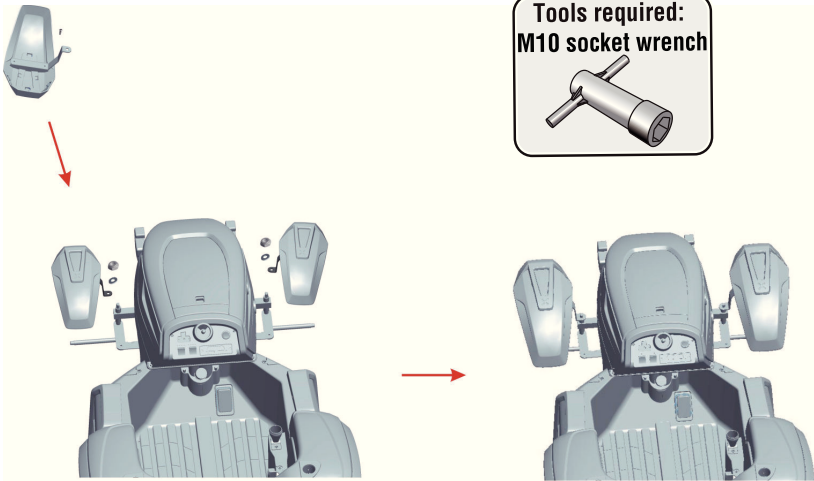
WARNING:

- **CHOKING HAZARD!** Not suitable for children under 36 months.
- **Must be assembled by an adult.**

Rules for Safe Riding

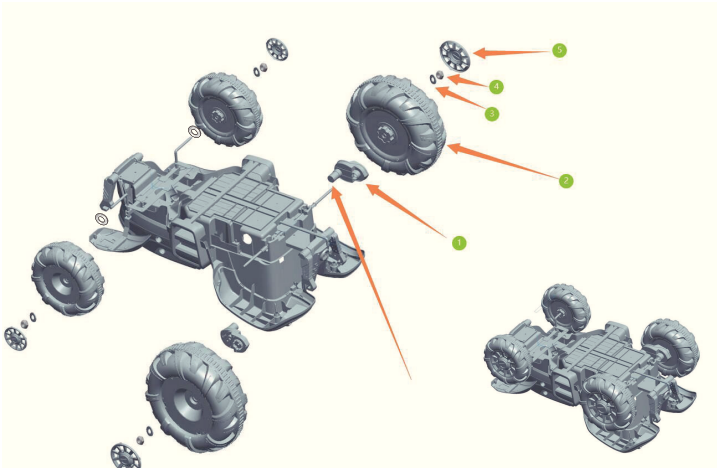
- Keep Children within Safe Riding Areas:
 - Never use in roadway, near motor vehicles, on lawn space, on or near steep inclines or steps, swimming pools or other bodies of water;
- Use the toy only on flat surfaces. Such as inside your house, garden or playground.
- Never use in the dark. A child could encounter unexpected obstacles and have an accident. Operate the vehicle only in the daytime or a well-lit area.
- It is prohibited to change the circuit or add other electric parts
- Inspect wires and connections of the vehicle periodically.
- Do not let any child touch the wheels or be near them when the car is moving .
- This vehicle has adjustable play seat belts. Please instruct children how to tie the safety belt before using, guarantee the security.

Attach the Fender



1. Fix the fender support frame with **Ø4*12** screws
2. Fit a fender onto the front axle
3. Fit a **Ø12** washer onto the front axle
4. Tighten a **Ø10 locknut** to the end of the front axle with a spanner

Attach the Front & Rear Wheels



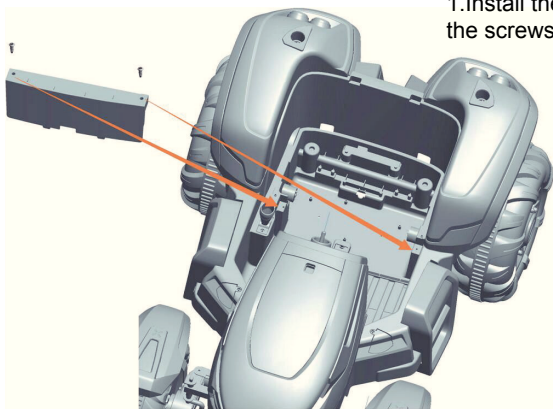
1. Slide a rear wheel onto the rear axle.
2. Slide a **Ø10** washer onto the rear axle.
3. Tighten a **Ø10 locknut** to the end of the rear axle with a **Ø10 socket wrench**.
4. "snap" the wheel covers to the wheels.

Remove all the parts from the front axle.

1. Slide a **Ø12** washer onto the front axle.
2. Slide a front wheel onto the front axle.
3. Slide a **Ø10** washer onto the front axle.
4. Tighten a lock nut to the end of the front axle with a spanner. DO NOT over tighten.
5. "Snap" the hubcap to the wheel.

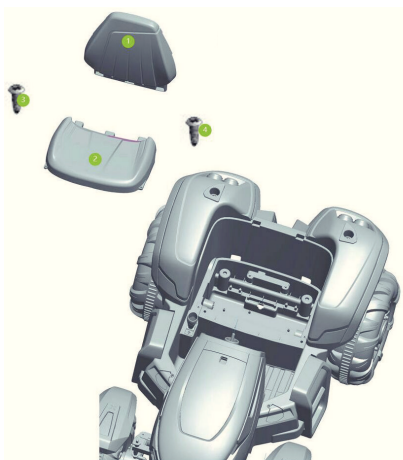
Repeat the above procedure to assemble the other rear wheel.

Attach the seat front baffle



1. Install the seat front baffle on the main body and fix the screws with **Ø4*35** before installing the seat

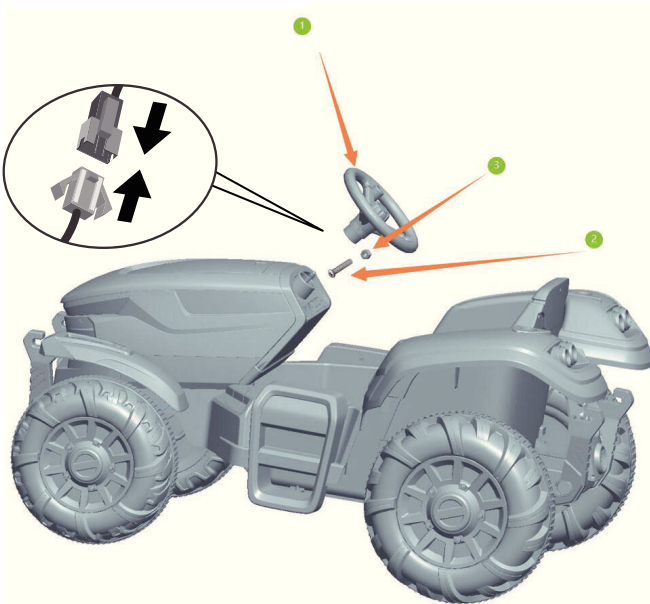
Attach the Seat & Seat back



1. Fit the seat back to the vehicle body.
2. Fit the seat to the vehicle body.
3. Insert the two **Ø4*12** screws through the seat and into the vehicle body, tighten them with a screwdriver.

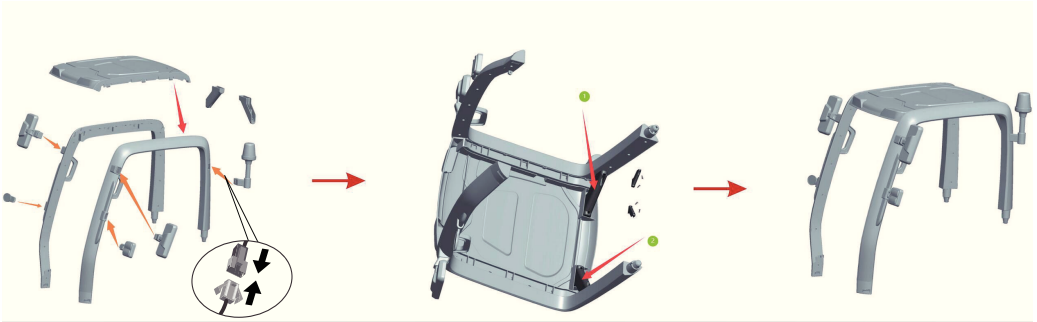
HINT: After assembling the seat, you need to connect the safety belt.

Attach the Steering Wheel



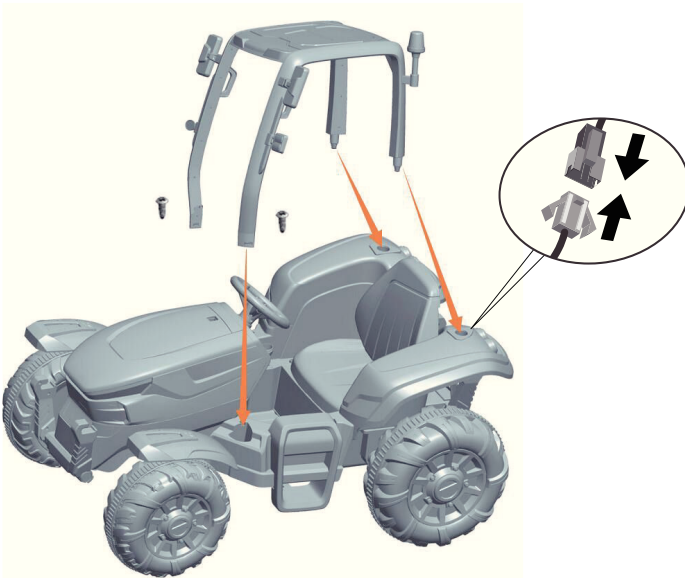
- 1.Plug the sound unit connector the steering wheel into the connector on the vehicle body.
- 2.Fit the steering wheel to the steering wheel base on the vehicle body,and hide the plugged connectors into the steering wheel.
- 3.Line up the holes on the steering wheel the holes on the steering column,insert the **M5X35** machine screw.
- 4.Fasten a nut on the opposite end of the screw with a screwdriver.

Assemble the roof



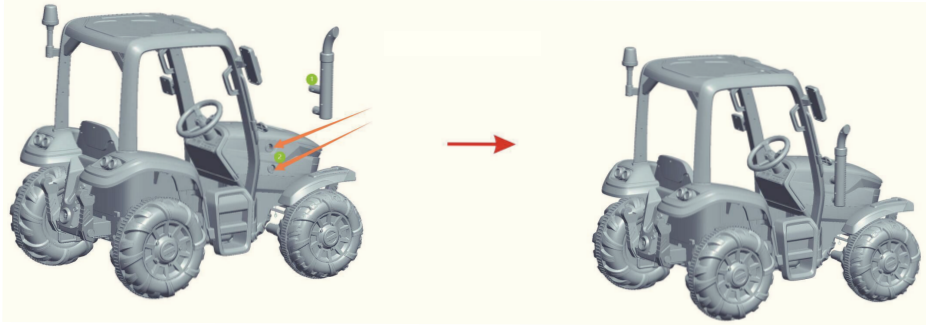
1. Insert the reflector and decorative lamp into the grooves on the roof support frame, push until you hear it "click" into place.
2. Insert the roof into the roof support frame.
3. Install the roof connector as shown in the figure with **Ø4*12** screws.
4. Plug the alarm light unit connector on the alarm light into the connector on the roof support frame,

Attach the Roof



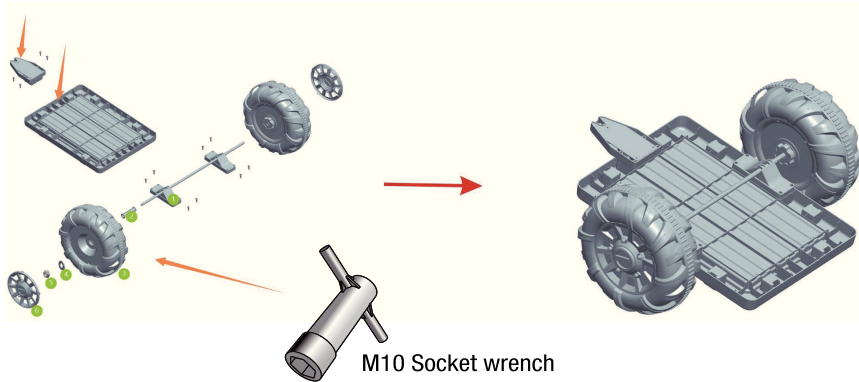
1. Plug the alarm light unit connector on the roof support frame into the connector on the vehicle body
2. At the same time, aim at the pressure of the fixed hole and fix it with **Ø4*12** screws on the front pillar.

Attach the Chimney

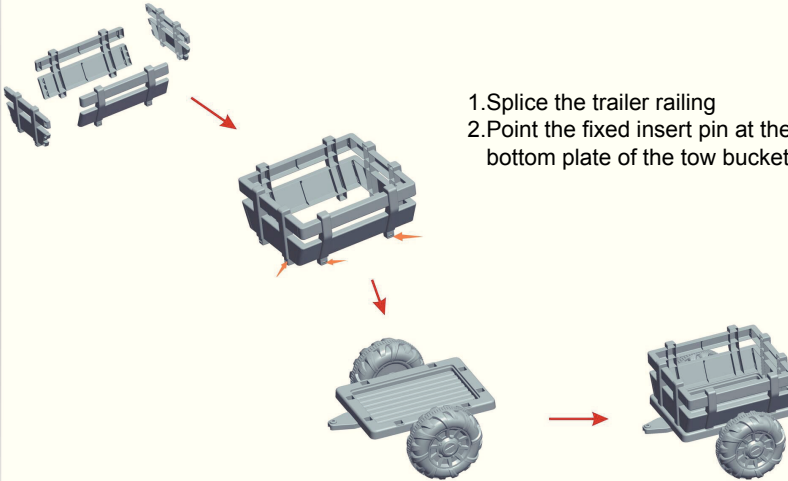


1.Point the chimney at the vehicle body and force it in.

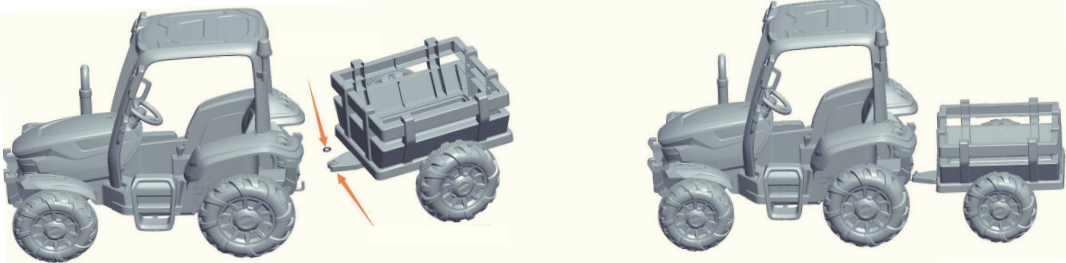
Attach the Rear Trailer



- 1.Fix the trailer connector and trailer wheel fixture with **Ø4*12** screws on the bottom plate of the trailer.
- 2.Slide trailer axle, trailer wheel limiter,wheel . **Ø10** washer, **m10 locknut**,wheel , cover as shown in the figure.finally fix it with a **M10** socket wrench.

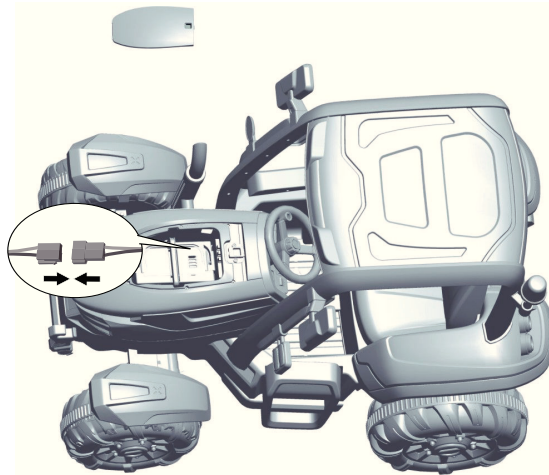


1. Splice the trailer railing
2. Point the fixed insert pin at the hole of the trailer bottom plate of the tow bucket and fix it.



1. Lift the rear trailer and put it on the hook.
2. Fix it with $\varnothing 12$ washer and clamps.

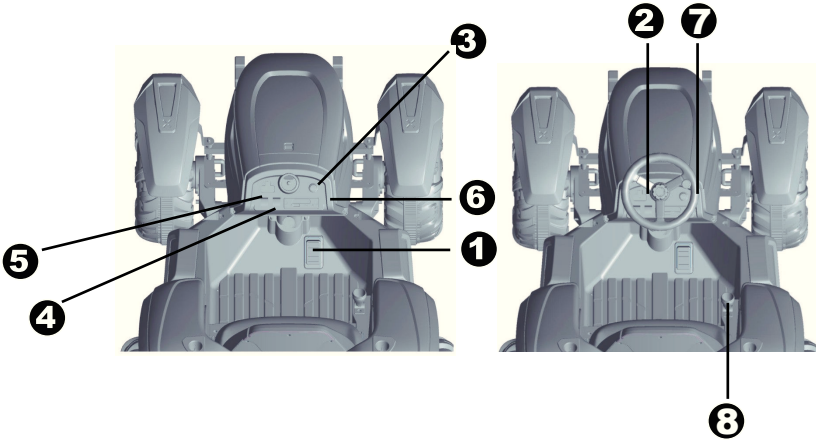
Attach Connect the Power Supply



Plug the red connector on the vehicle body into the red connector on the battery.

**IMPORTANT!**

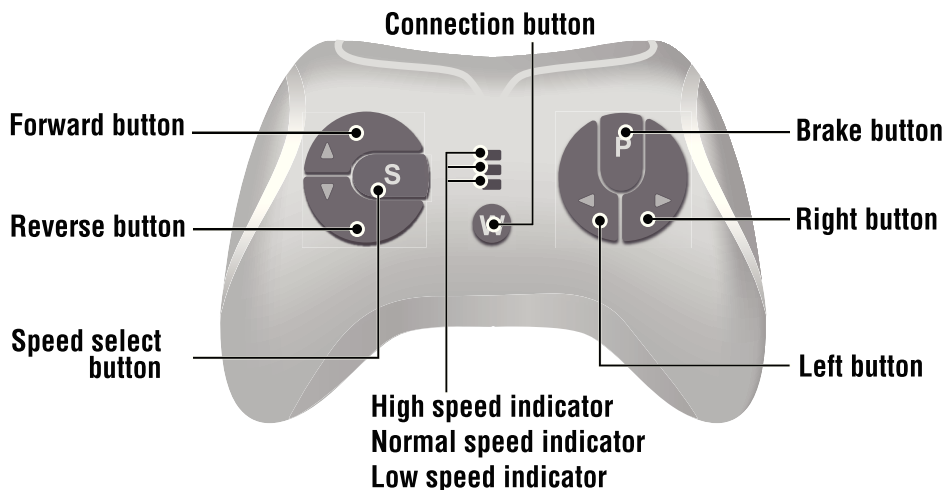
Always stop vehicle when changing the speed or direction to avoid damage the gears and motor.



1. **Foot pedal:**
 - To move the vehicle, press the pedal down.
 - To brake or slow down, release pressure from the pedal.
2. **Horn button:** Press for horn playing.
3. **Power switch:** Turns the vehicle on and off.
4. **Light switch:** Turns the lights on and off.
5. **High / Low speed switch:** The vehicle equipped with 2 speeds in forward: high speed / low speed.

HINT: The vehicle is designed to operate in low speed only in reverse.

6. **Muti-function mp3 player:**
7. **Music button:** Press for music playing.
8. **Forward / Reverse Switch:** Changes the direction that vehicle moves from forward to reverse



Attach the batteries of controller

Lift the battery compartment door on the back of the controller and insert two AAA(LR03) batteries.

HINT: Batteries not included. Refer to the Battery Information on the page 1.

1. Connection button (Build connection)

Long press the Connection buttons for 3 seconds, and the low speed indicator flashes. Then power on the vehicle, the low speed indicator goes to long bright, means the connection successful. If the low speed indicator no response, means the connection failed. Replace the batteries and retry.

2. Brake button

Press the button to stop the vehicle, press it again to release the brake.

3. Speed select button

The switch operates the vehicle to move in low, normal and high speed.

HINT: This switch won't work while your vehicle moves reverse.

NOTE:

- Leave the remote controller idling for about 10 seconds, it will shut down automatically.
- Rebuild connection when you replace the batteries of the remote controller.

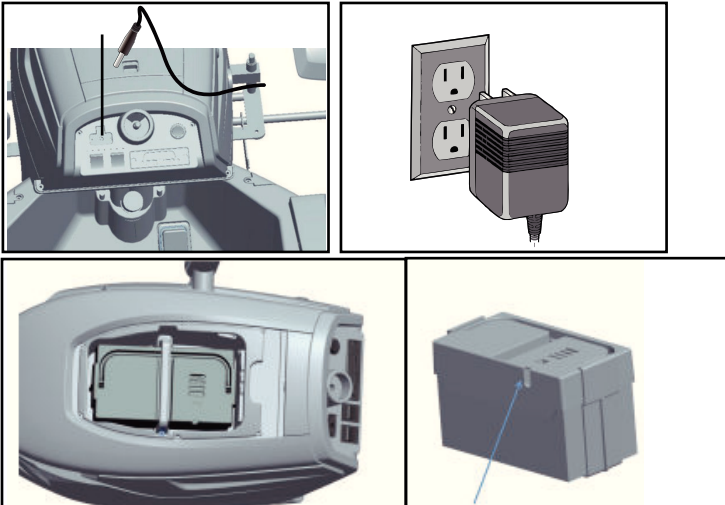
WARNING!

ONLY AN ADULT CAN CHARGE AND RECHARGE THE BATTERY!

WARNING!

This product with Charging Protection: when charging, all functions will be cut off! Only an adult can charge and recharge the battery!

- The POWER SWITCH must be turned in OFF position when charging.
- Before the first use, you should charge the battery for 4-6 hours. Do not recharge the battery for more than 10 hours to avoid overheating the charger.
- When the vehicle begins to run slowly, recharge the battery.
- After each use or once a month minimum recharge time as 8 to 12 hours, less than 20 hours at most.
- Use the only rechargeable battery and charger supplied with your vehicle. NEVER substitute the battery or the charger with another brand. Using another battery or charger may cause a fire or explosion.
- Do not use the battery or charger for any other product.



1. Plug the charger port into the input socket. (on the left side of the dashboard)
2. Plug the charger plug into a wall outlet. The battery will begin charging.
3. If the car is not easy to carry and recharge, the battery can be taken out separately to charge.
4. Remove the battery press strip, unplug the battery connection socket, bring the battery case out, and insert the charger port into the battery case input socket.

Problem	Possible Cause	Solution
Vehicle does not run	Battery low on power	Recharge battery.
	Thermal fuse has tripped	Reset fuse, see <Fuse>
	Battery connector or wires are loose	Check that the battery connectors are firmly plugged into each other. If wires are loose around the motor contact your distributor please.
	Battery is dead	Replace battery, contact your distributor please.
	Electrical system is damaged	Contact your distributor please.
	Motor is damaged	Contact your distributor please.
Vehicle does not run very long	Battery is under charged	Check that the battery connectors are firmly plugged into each other when recharging
	Battery is old	Replace battery, contact your distributor please.
Vehicle runs sluggishly	Battery low on power	Recharge battery, contact your distributor please.
	Battery is old	Replace battery, contact your distributor please.
	Vehicle is overload	Reduce weight on vehicle.
	Vehicle is being used in harsh conditions	Avoid using vehicle in harsh conditions ,see <Safety>.
Vehicle needs a push to go forward	Poor contact of wires or Connectors	Check that the battery connectors are firmly plugged into each other. If wires are loose around the motor, contact your distributor please.
	"Dead Spot" on motor	A dead spot means the electric power is not being delivered to the terminal connection and the vehicle needs repair. Contact your distributor please.
Difficult shifting from forward to reverse or vice-versa	Attempting to shift while the vehicle is motion	Completely stop the vehicle and shift, see <Use Your New Vehicle>
Loud grinding or clicking noises coming from motor or gear box	Motor or gears are damaged	Contact your distributor please.
Battery will not recharge	Battery connector or adapter connector is loose	Check that the battery connectors are firmly plugged into each other.
	Charger not plugged in	Check that the battery charger is plugged into a working wall outlet.
	Charger is not working	Contact your distributor please.
Charger feels warm when recharging	This is normal and not a cause for concern	

Completely read through this manual and the troubleshooting guide table before calling. If you still need help resolving the problem **Contact your distributor please.**

- It is parents' responsibility to check main parts of the toy before using, must regularly examine for potential hazard, such as the battery, charge, cable or cord, plug, screws are fastening enclosure of other parts and that in the event of such damage, the toy must not be used until that damage had been properly removed.
- Make sure the plastic parts of the vehicle are not cracked or broken.
- Occasionally use a lightweight oil to lubricate moving parts such as wheels.
- Park the vehicle indoors or cover it with a tarp to protect it from wet weather.
- Keep the vehicle away from sources of heat, such as stoves and heaters. Plastic parts may melt.
- Recharge the battery after each use. Only an adult can handle the battery. Recharge the battery at least once a month when the vehicle Raider is not being used.
- Do not wash the vehicle with a hose. Do not wash the vehicle with soap and water. Do not drive the vehicle in rainy or snowy weather. Water will damage the motor, electric system and battery.
- Clean the vehicle with a soft, dry cloth. To restore shine to plastic parts, use a non-wax furniture polish. Do not use car wax. Do not use abrasive cleaners.
- Do not drive the vehicle in loose dirt, sand or fine gravel which could damage the moving parts, motors or the electric system.
- When not using, all the electrical source should be turn off. Turn off the power switch and disconnect the battery connection.

Battery Fuse

The battery features a thermal fuse with a reset fuse that will automatically trip and cut all power to the vehicle if the motor, electric system or battery is overloaded. The fuse will reset and power will be restored after the unit is turned OFF for 20 seconds and then turned ON again. If the thermal fuse trips repeatedly during normal use, the vehicle may need repair. Contact your distributor please.

To avoid losing power, follow these guidelines:

- Do not overload the vehicle.
- Do not tow anything behind the vehicle.
- Do not drive up steep slopes.
- Do not drive into fixed objects, which may cause the wheels to spin, causing the motor to overheat.
- Do not drive in very hot weather, components may overheat.
- Do not allow water or other liquids to come in contact with the battery or other electric components.
- Do not tamper with the electric system. Doing so may create a short, causing the fuse to trip.

Disposal Of Battery



- Your sealed lead-acid battery must be recycled or disposed of in an environmentally sound manner.
- Do not dispose of your lead-acid battery in a fire. The battery may explode or leak.
- Do not dispose of a lead-acid battery in your regular, household trash. The incineration, land filling or mixing of sealed lead-acid batteries with household trash is prohibited by law.

Our products are suitable for ASTM F963; GB6675; EN71 and EN62115 standard.