

## Description

Name	DK-CA002
Battery	12V4.5AH / 12V7AH / 12V10AH / 12V14AH / 24V5AH / 24V7AH
Motor	12V15000 RPM of driving motor(390 Motors) 12V12000 RPM of driving motor(550 Motors) 12V4800 RPM of steering motor(2 Motors version) 12V8000 RPM of steering motor(4 Motors version) 24V12000 RPM of driving motor
Maximum weight	30 KG
Dimension	1080*635*700 mm
Speed	3-8 KM/H
Charging time	8-12 hours
Remote control battery	AAA battery 1.5V*2 (not including)
Applicable age	37-95 months
Charger specification	Input: 220V / 110V 12V Output: DC12V1000mA 24V Output: DC28.8V800mA or DC24V1000mA

### Charging the Drive Battery:



**IMPORTANT!** Before using the unit for the first time the battery needs to be charged for at least **8 to 12** hours - no more than **20** hours. Once battery is depleted, recharge for **8 to 12** hours - no more than **20** hours.

#### IMPORTANT!

Check the drive battery and charger (supply cord, connector) for wear and damage before charging. Do not charge the battery if damage has occurred. Only replace with the same type and voltage rechargeable battery and charger supplied by the manufacturer.

- Only use the rechargeable battery (or equivalent replacement) and charger supplied with your vehicle.
- Always turn power off and charge battery after riding.
- The drive battery should be charged when depleted, or if not used regularly, once a month. Failure to charge the battery as directed will cause permanent damage to the battery and will void the warranty.

#### STEPS:

1. Locate Charging Port.
2. Plug Charger plug into unit Charging Port.
3. Plug Charger into Wall outlet.
4. When battery is fully charged, unplug charger from the wall outlet and disconnect from charger port.

**NOTE:** The charger may feel warm during the charging. If excessively hot, unplug and replace.

**NOTE:** This product has charging protection: When charging, all functions are turned OFF.

## Installation And Operation Manual



Model: DK-CA002

Applicable age: 37-95 months

Maximum weight: 30 KG

Execution Standard:

GB6675&GB19865 EN71&EN62115 ASTM-F963



## Pinghu Dake Baby Carrier Co.,Ltd

**Address:**No.88,Qinsha section,Pinglang Road,Xincang Town, Pinghu City, Jiaxing City, Zhejiang Province, China

**Website:** www.daketoy.com

The BRP, Can-Am, Rotax, and Renegade trademarks, logos and designs are the intellectual property of Bombardier Recreational Products Inc. and are used under license by Pinghu Dake Baby Carrier Co., Ltd.

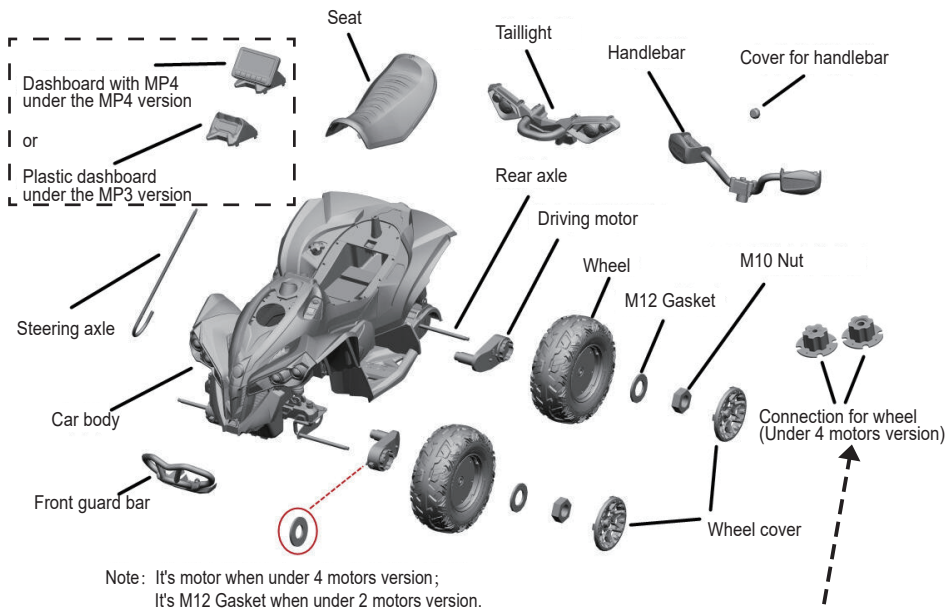
**Warning:** This is a Child's Toy and NOT intended for Off-Road Use.

## Installation steps

### 1.Spare parts list

Car body 1 PC	Front guard bar 1 PC	Steering axle 1 PC
Dashboard with MP3 or MP4	Seat 1 PC	Taillight 1 PC
Handlebar 1 PC	Cover for handlebar 1 PC	Rear axle 1 PC
Driving motors 2 or 4 PCS	Wheels 4 PCS	Wheel covers 4 PCS
Manual 1 PC	Charge 1 PC	Socket wrenches 2 PCS
Bolt 1 PC	M10 Nut 1 PC	M10 Gasket 2PCS
M4*10mm Screws 22 PCS	M12 Gaskets: 7 PCS	M10 Spring gasket 1PC
Remote control 1 PC(not including when without RC function)		
MP3 line 1 PC(not including under the MP4 version)		
Connection for wheel (Under 4 motors version)		

### 2.Part name



Note: Install "connection for wheel" on 2 wheels without connections before installing wheels.

## Instructions

- While driving, adult supervision is required all the time
- Always wear a helmet when driving
- Please don't drive near road or on the footpath.
- It is not recommended to drive the vehicle on wet surface or on slope greater than 15-degree.
- It is recommended to drive this vehicle on smooth surface only.
- Please don't drive this vehicle outdoors when it is raining.
- Make sure that the vehicle stop completely before changing direction from forward to reverse
- Please don't allow children to operate the charger or play with the battery
- Clean the vehicle with a dry cloth only.
- Please follow the correct weight and age limits allowed to drive this vehicle.
- It is prohibited to change the circuit or add other electric parts.
- Adults must teach their children about safe driving procedures.
- Please turn the power off when not in use.
- Check the seat to ensure it has been fitted and secured with a bolt before driving.
- Inspect all wires and connection of the vehicle periodically.
- Charging the battery should only be done by adults.
- Charging plug is located underneath the seat.
- In order to avoid accidents, please ensure the vehicle is safe before driving.
- Please don't let children touch the wheels or be near them when the car is moving.
- Please mind fingers when opening and closing doors.

**WARNING:**  
To reduce the risk of injury, adult supervision is required. Never use in roadways, near motor vehicles, on or near steep inclines or steps, swimming pools or other bodies of water; always wear shoes, and never allow more than 1 rider.

**Warning:** This toy has no brake.

**Warning:** This toy cannot be used in the sands.

### **WARNING!**

For safety reasons,  
\*please use this vehicle under adult guidance and supervision.  
\*do not use this product on main roads, slopes, highways or other dangerous places.  
\*children must wear shoes and protective gears when operating the vehicle.  
\*children should be seated with the seat belt fasten when driving.  
\*only load a maximum of 30Kg on the vehicle.  
\*only children aged 37 - 95 months should be allowed on this vehicle.  
\*use this toy strictly according to safety manual.  
\*please check the tires, breaks, steering wheels, seats and seat belts before operating vehicle.  
\*this toy vehicle should be used with caution and requires skill to avoid fall or collision with third parties.  
\*Non-rechargeable batteries are no to be recharged;  
\*The supply terminals are not to be short-circuited.  
\*Rechargeable batteries are to be removed from the toy before being charged;  
\*The toy should be regularly examined for damage to the cord, plug, enclosure and other parts, and in the event of such damage, they must not be used until the damage has been repaired.  
-Only use the battery specified by the manufacturer  
-Only use the charger specified by the manufacturer.  
Pictures are for reference only, please adhere to the original Products as standard

The product must be assembled by Adults.

**Warning!** Not suitable for children under 36 months.

Long cord. Strangulation hazard.

Pictures are for reference only, please adhere to the original products as standard

**WARNING:**

The car contains battery that are non-replaceable.

The instruction manual must be retained since it contains important information.

**WARNING:**

For the purposes of recharging the battery, only use the detachable supply unit provided with this toy.DC adaptor.

**WARNING:**

The remote control is not a toy. It is for adult use only, and should not be used by a child. A close adult supervision is always required. Reception range may change significantly with weather, battery, and other environmental conditions.

**WARNING:**

RISK OF FIRE.DO not bypass.Replace only with JF1922RXS DO 12V Max35.

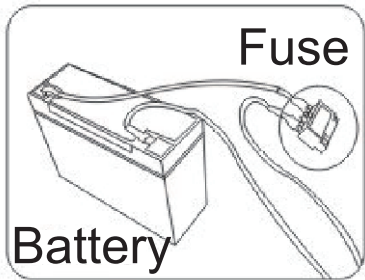
## Troubleshooting

**Problem:** The vehicle cannot be driven.

**Cause of the problem:** the battery is insufficient  
Please charge in time after each use, and charge at least once a month. It is recommended to charge for 8-12 hours, not more than 20 hours.

**Problem:**The car does not move.

**Answer :** The battery is low, please charge for 8-12 hours but not exceeding 20 hours.  
Charge at least once a month to keep the battery cells active.



- To avoid short fuse or power cut off:
1. Do not overload the product. Max load is 30 Kg.
  2. Do not drag any item behind this product.
  3. Do not allow water or any liquid into electric parts.
  4. Do not change wire system without a professional.

### TROUBLESHOOTING

**Problem:**The car only runs for a short time.

**Answer 1:** The battery is low, please charge for 8-12 hours but not exceeding 20 hours.  
Charge at least once a month to keep the battery cells active.  
**Answer 2:** The battery may need to be replaced depending on its charging history and age.

**Problem:**The sound does not work.

Please ensure the volume is turned up and the MP3 line is not connected. Sounds from steering wheel will not work when MP3 is plugged in.

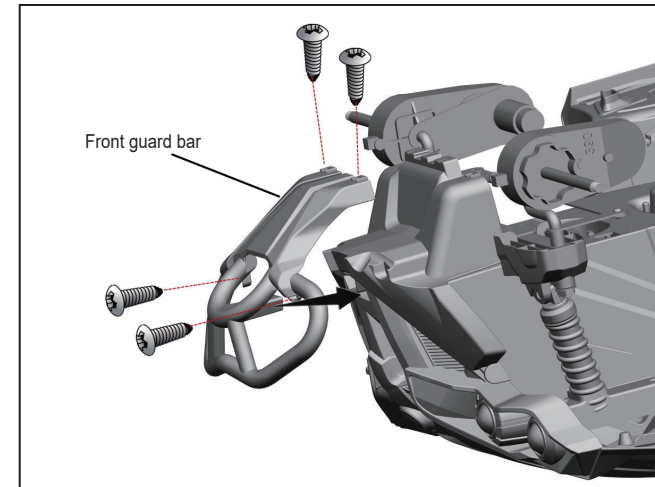
**Problem:**Charger overheating.

It is normal for battery and charger to be slightly warm during charging. If the charger feel excessively hot, please check for a current overload or battery short circuit.

### 3. Installation steps

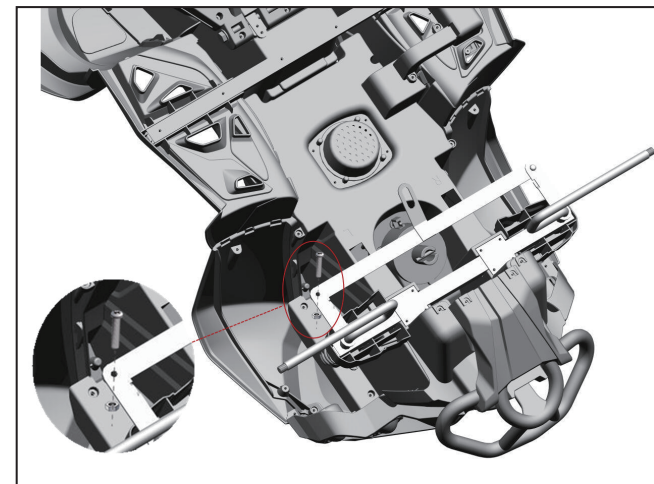
**Step 1:** Install front bumper

Please install front bumper onto the body, and use 4 PCS of M4\*10mm screws to fix.



**Step 2:** Adjust front axle

Please adjust front axle to be in place as picture shows, and then insert 1PC of M6\*13mm screw bolt. In addition, using 1PC of M6 nut to fix, but don't be too tight, ensure the iron stand can be turning smoothly.



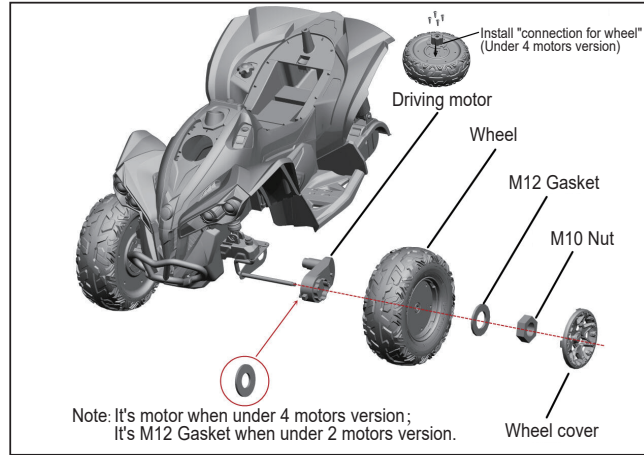
## Installation steps

### Step 3: Install front wheels

PS: Use 4PCS M4\*10mm screws to fix the "connection for wheel" onto the wheels under 4 motors version first.

A: Under 2 motors version: install spare parts onto front axle following the sequences: M12 gasket - Wheels - M12 gasket - M10 nut - Wheel cover.

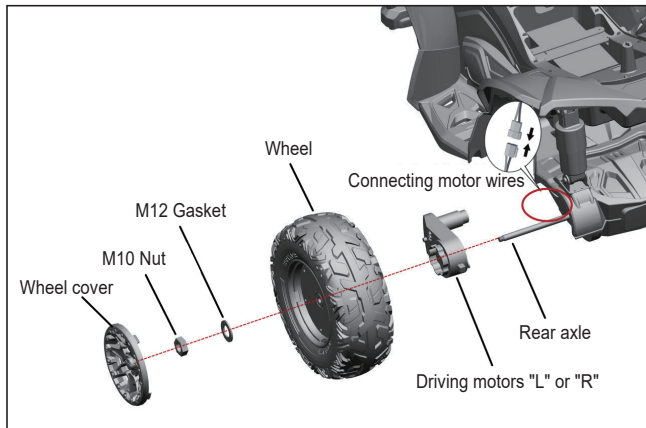
B: Under 4 motors version: install spare parts onto front axle following the sequences: Wheels - M12 gasket - M10 nut - Wheel cover.



### Step 4: Install rear wheels

A: Insert rear axle into the body.

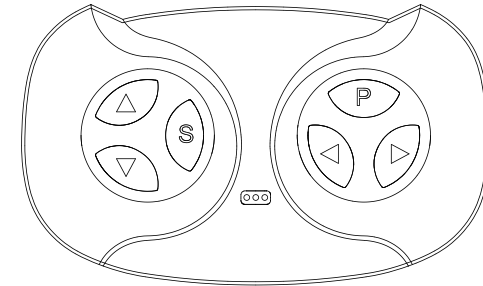
B: Install spare parts following sequences: Driving motors "L" or "R" - Wheel - M12 gasket - M10 nut - Wheel cover.



## Instructions

### Connect with Remote Control

Notes: Remote Control is not available for 24V version



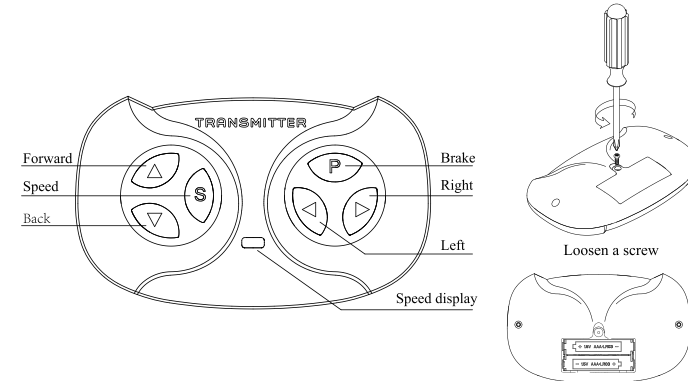
#### 2.4G Remote Control Instructions

Step 1: The Remote Controller is loaded with two AAA batteries.

Step 2: Turn off the power switch on the vehicle.

Step 3: Hold down "▲" & "▼" keys for 3 seconds start match code, The first LED flicker, Now turn on the vehicle power switch The red indicator lights stop flashing, and the code is successful.

Keys caption: "S" set up speed, 1 led lit up is low speed, 2 leds lit up is medium speed, 3 leds lit up is high speed, "▲" Forward, "▼" Back, "◀" Left, "▶" Right, Press "P" key hold the brake, All LED flicker



Load two AAA(1.5V) batteries

**WARNING!** Not for children under 3 years. Small parts. Choking hazard

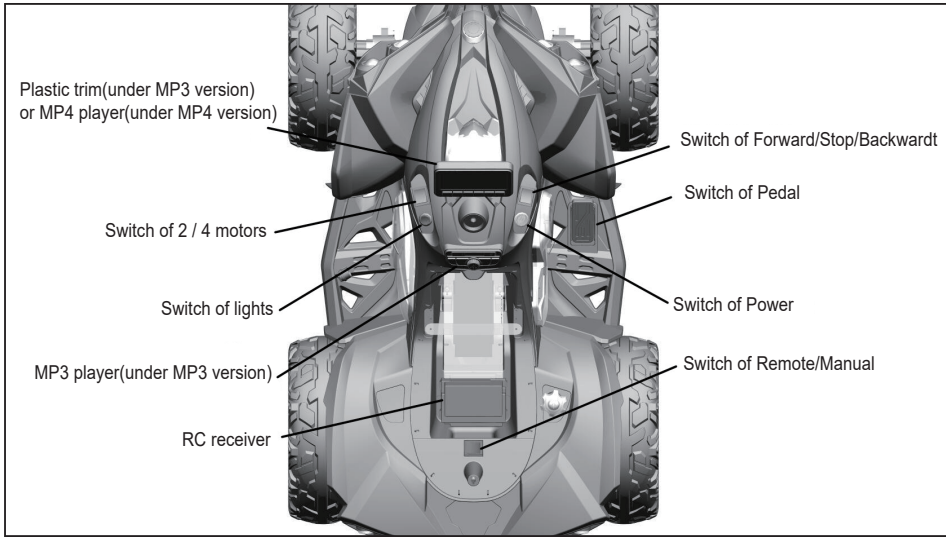
- Load two AAA ( 1.5V ) batteries according to the diagram.
- Non-rechargeable batteries are not to be recharged.
- Different types of batteries or new and used batteries are not to be mixed.
- Batteries are to be inserted with the correct polarity.
- Exhausted batteries are to be removed from the toy.
- The supply terminals are not to be short-circuited.
- The packaging must be retained since it contains important information.

\*Manufactured according to FCC certification testing and EMC credential.

\*This remote is to be used by adult only.

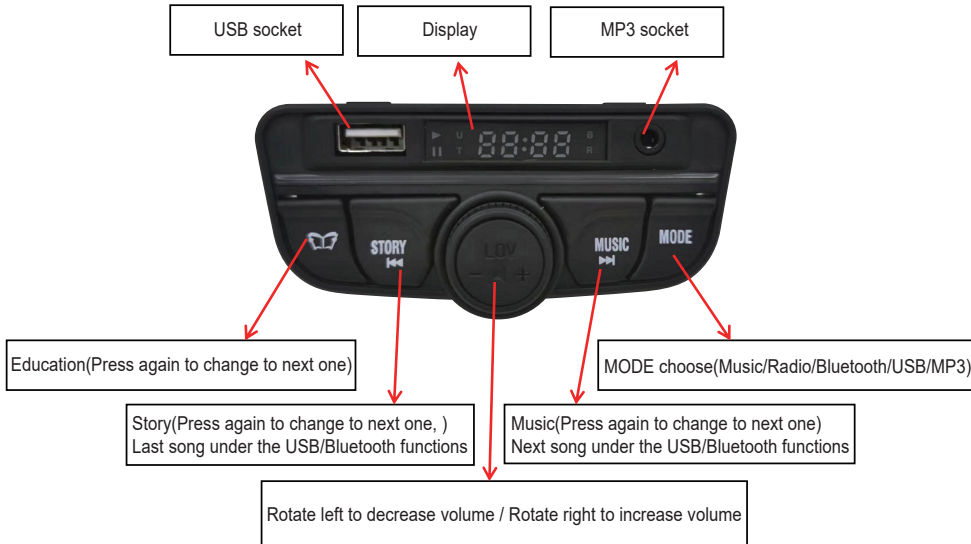
## Instructions

### 4. Introduction for the car



Description for the switch of Manual / Remote:  
 For safety reason, the switch of Manual / Remote is installed under the seat, so that children can't touch it.  
 Under the Manual: the car only can drive by the child;  
 Under the Remote: the car only can drive by the remote control;

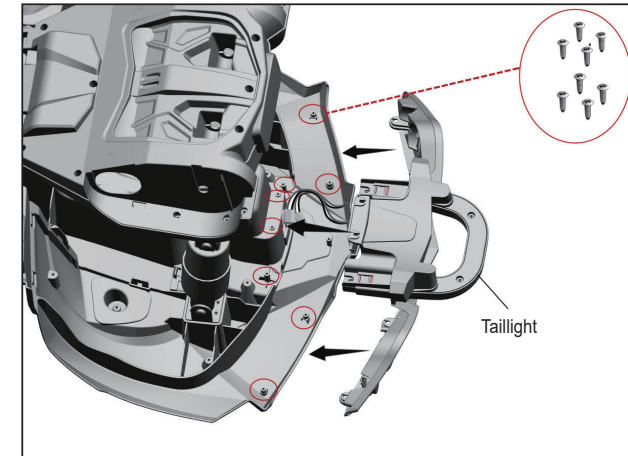
### 5. Introduction for MP3



## Installation steps

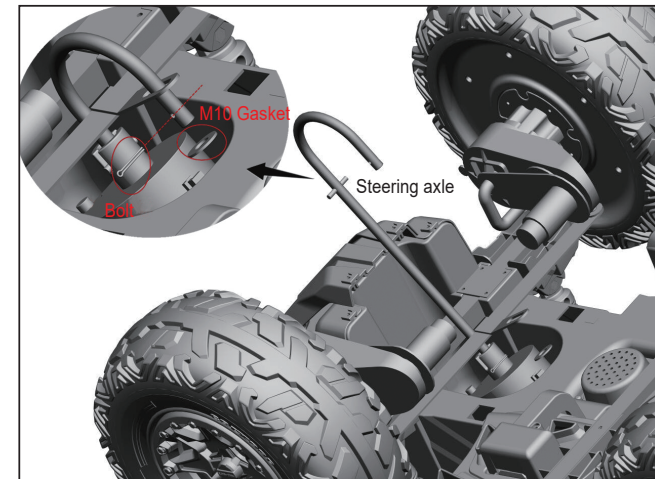
### Step 5: Install taillight

- A: Insert light lines of taillight into the holes of body, then put them well and then put the taillight on the body.
- B: Use 8PCS of M4\*10mm screws to fix taillight, and then connect the parts well according to the photo.



### Step 6: Install steering axle

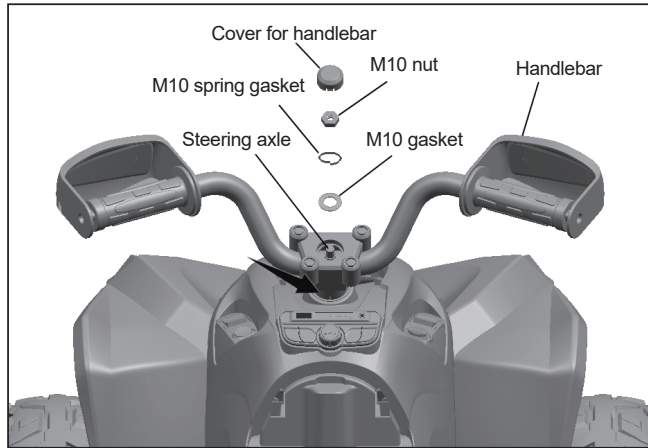
- Insert the steering axle into the body, and use 1PC of M10 gasket and 1PC of bolt to fix.



## Installation steps

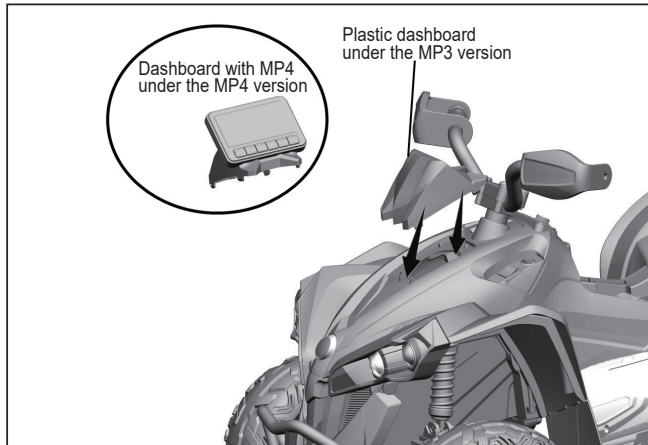
### Step 7: Install handlebar

Install the handlebar into the body, then place: "M10 gasket" - "M10 spring gasket" - "M10 nut" in sequence to fix on the steering axle (Tighten as tight as possible), finally, cover the "Cover for handlebar".



### Step 8: Install dashboard

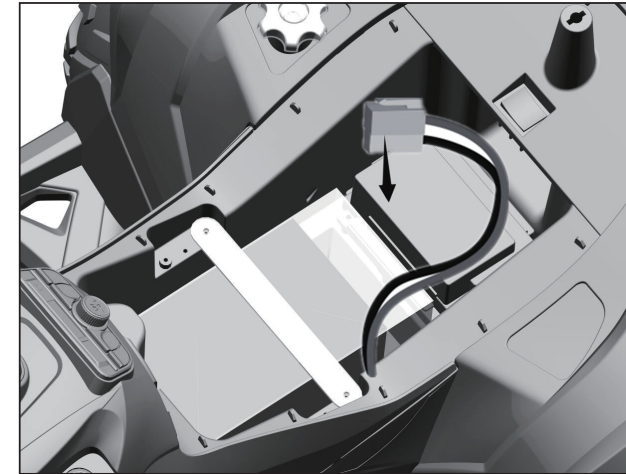
Install "plastic dashboard" or "dashboard with MP4" into the body according to the picture.



## Installation steps

### Step 9: Connect the power

Please connect the plug to the controller.



### Step 10: Install seat

Install the seat onto the body and rotate the seat to fix.

