

# Installation And Operation Manual



Model: DK-CA003

Applicable age: 37-95 months

Maximum weight: 30 KG

Execution Standard:

GB6675&GB19865 EN71&EN62115 ASTM-F963

**WARNING:**The toy must be assembled by adult before use. All circuit connetions in the toy must be connected properly. Any wrong circuit connections could cause possible dangerous malfunctions, short circuit, sudden equipment failure and other possible failures.



**Warning:** This is a Child's Toy and NOT intended for Off-Road Use.

## Pinghu Dake Baby Carrier Co.,Ltd

**Address:**No.88,Qinsha section,Pinglang Road,Xincang Town,  
Pinghu City,Jiaxing City,Zhejiang Province ,China

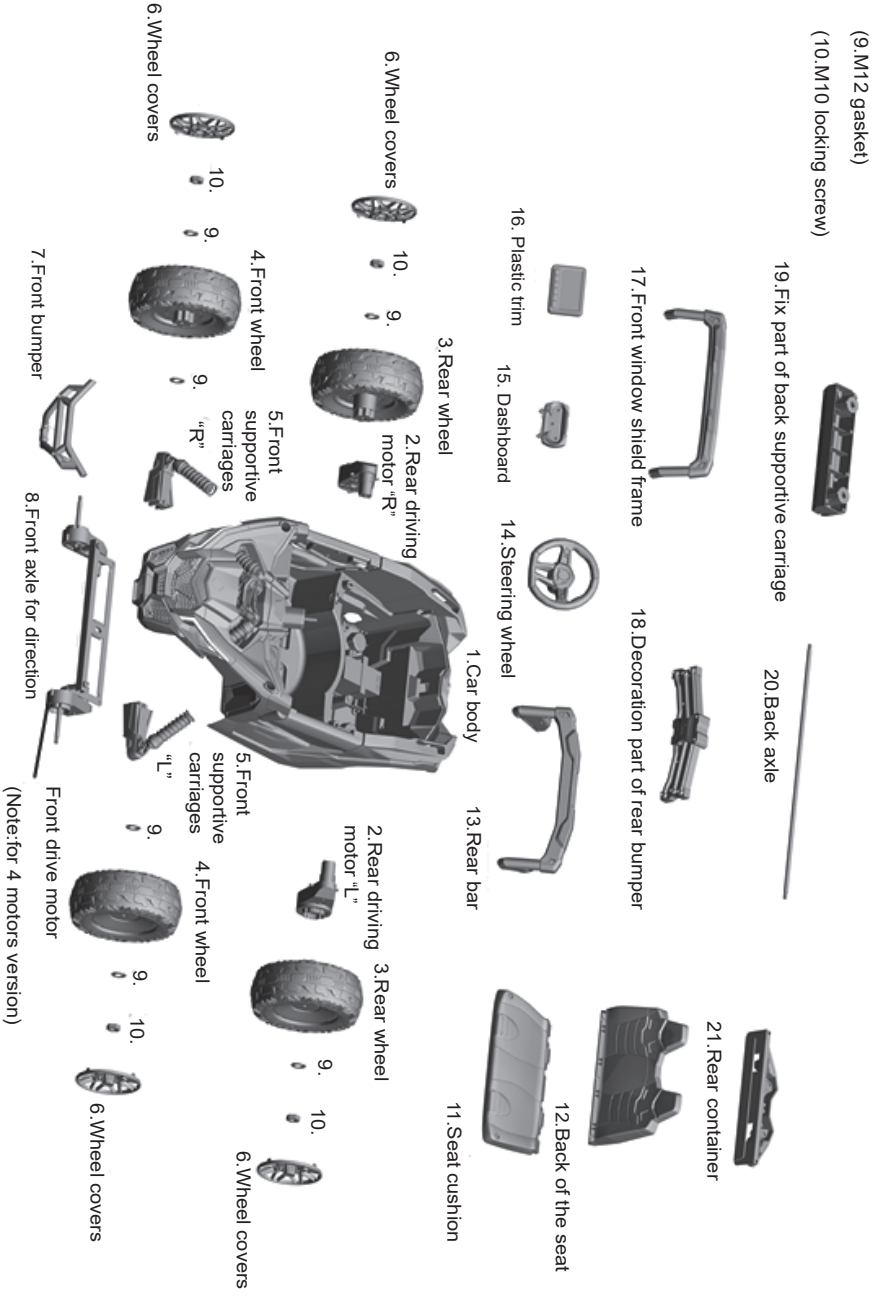
**Website:** [www.daketoy.com](http://www.daketoy.com)

## 1.Spare parts list

1.Car body 1 PC	2.Rear driving motors 2pcs	3.Rear wheel 2pcs
4.Fornt wheel 2pcs	5.Front supportive carriages 1 Pair	6.Wheel covera 4pcs
7.Front bumper 1pc	8.Front axle for direction 1pc	9.M12 gasket 9pcs
10.M10 locking screw 1pc	11.Seat cushion 1pc	12.Back of the seat
13.Rear bar 1pc	14.Steering wheel 1pc	15.Dashboard 1pc
16.Plastic trim 1pc	17.Front window shield frame 1pc	18.Decoration part of rear bumper 1pc
19.Fix part of back supportive carriage 1pc	20.Back axle 1pc	21.Rear container 1pc
MP3 Line 1 pc	Remote control 1 PC	Charger 1 PC
Intruccion manual 1pc	Spanner 2 pcs	M4*12mm self-tapping screws 33 PCS

# Installation steps

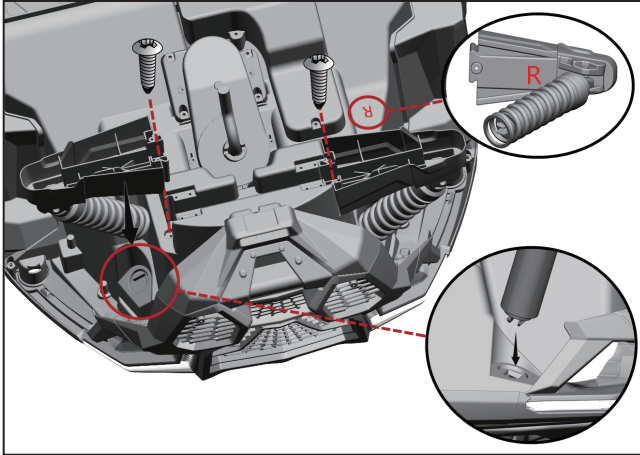
## 2.Parts' names



## Installation steps

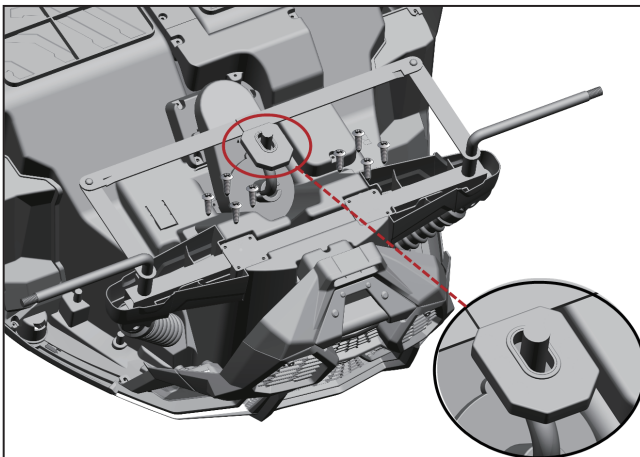
### 1. Install front supportive carriages (both left and right)

Install front supportive carriages onto the car body according to the picture, and fix them with 2 pcs of M4\*12mm self-tapping locking screws.



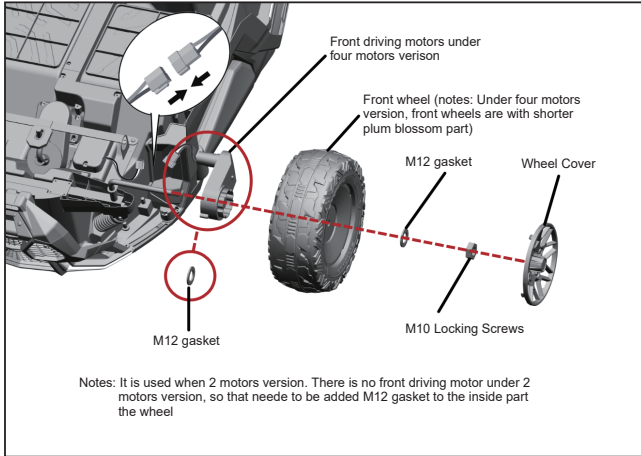
### 2. Install front axle for direction

Install front axle for direction onto the car body, and fix it with 8 pcs of self-tapping locking screws. (Notes: There are two motors in front of the car under four motors version which needs to connect the plug-in of motors.)



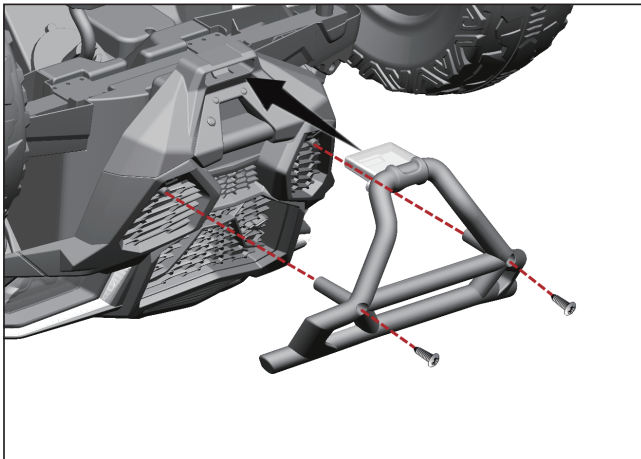
## 3. Install front wheels

- Two motors version: Install M12 gasket-Wheels-M12 gasket-M10 locking screw-Wheel cover onto the front axle following the correct sequence.
- Four motors version: Install wheels-M12 gasket-M10 locking screw-Wheel onto the front axle following the correct sequence.



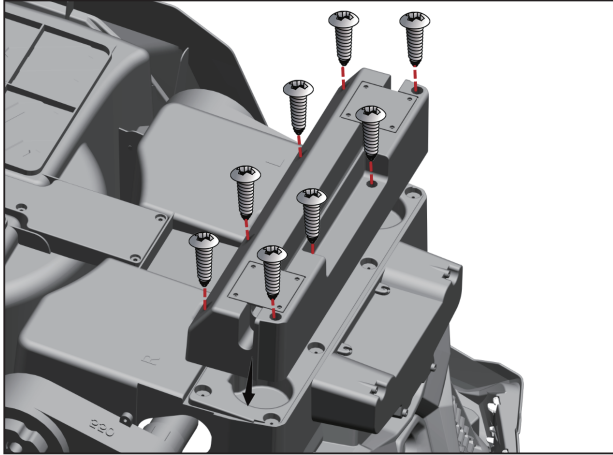
## 4. Install front bumper

Install front bumper onto the car body, and fix it with 2 pcs of M4\*12mm self-tapping locking screws.



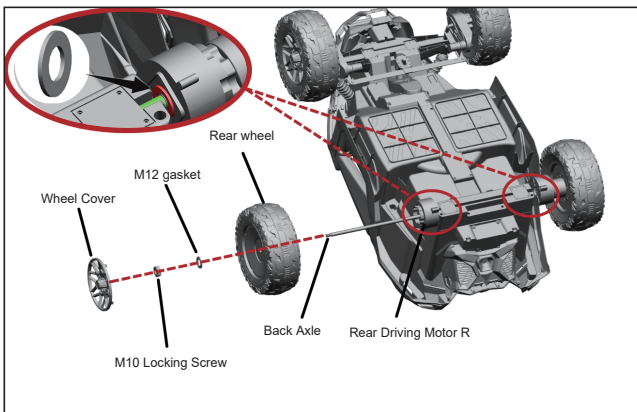
## 5. Install fix part of back supportive carriage

Install fix part of back supportive carriage onto the car body, and fix it with 8 pcs of M4\*12mm self-tapping locking screws.



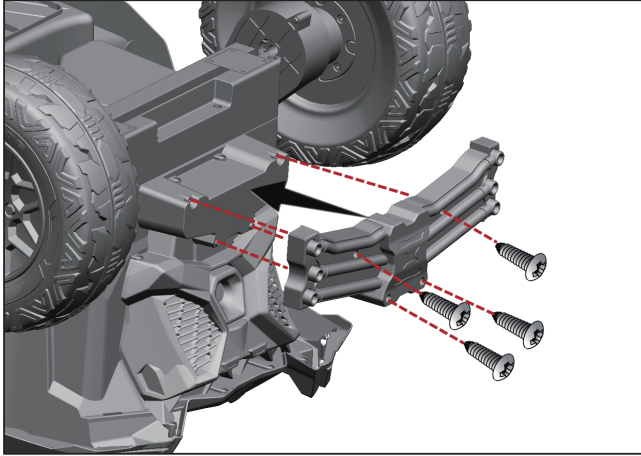
## 6. Install rear wheels

- Insert the back axle into the motors and car body. (Notes: Add 1 pc of M12 gasket to the inside part of motor with 390# motors version)
- Install rear wheel-M12 gasket-M10 locking screw-wheel cover onto the back axle following the correct sequence.



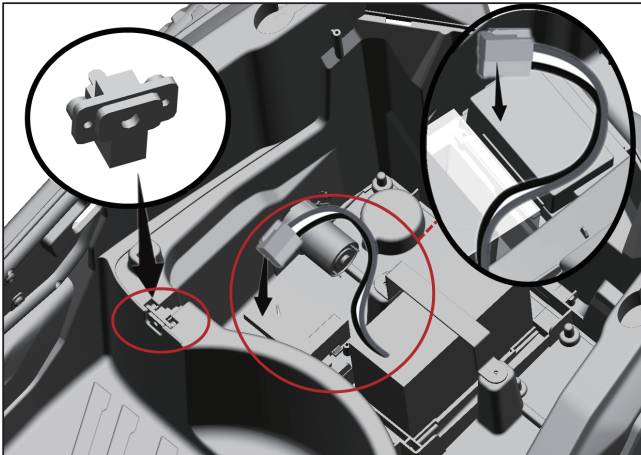
### 7. Install decoration part of rear bumper

Install decoration part of rear bumper onto the car body, and fix it with 4 pcs of M4\*12mm self-tapping screws.



### 8. Connect Power

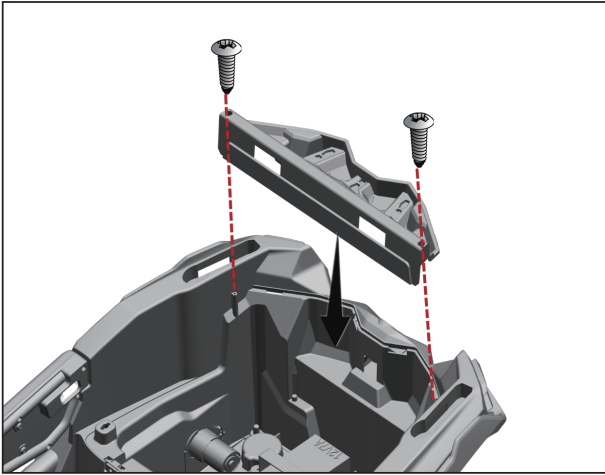
Plug all the spare plug-in modules besides battery into holes of IC box according to the picture.



## Installation steps

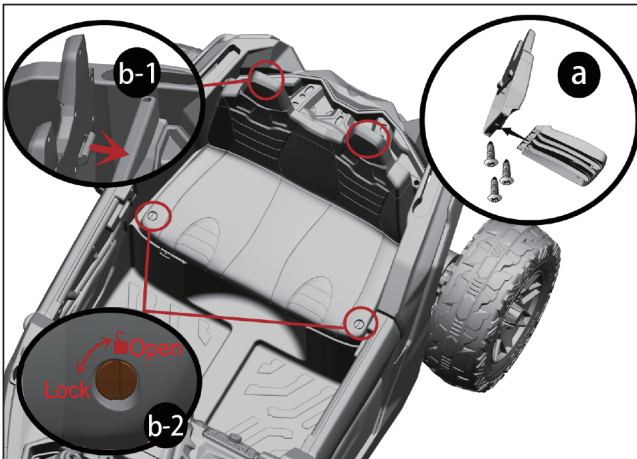
### 9. Install rear container

Install rear container onto car body, and fix it with 2 pcs of M4\*12mm self-tapping screws.



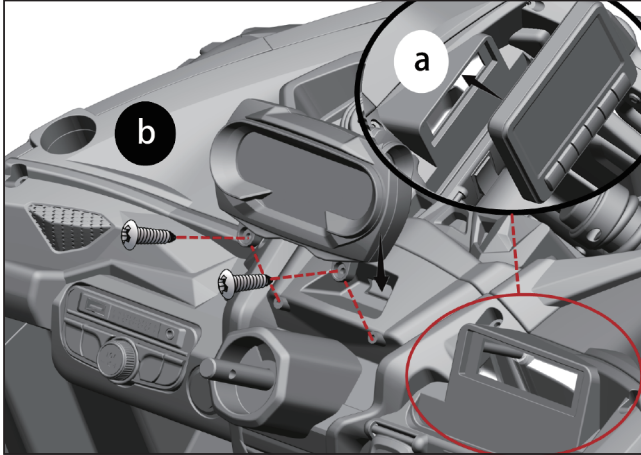
### 10. Install seats

- Assemble seat and backrest, and fix it with 3 pcs of M4\*12mm self-tapping screws.
- Put the seat into the car, and locking the seat with lock catches.



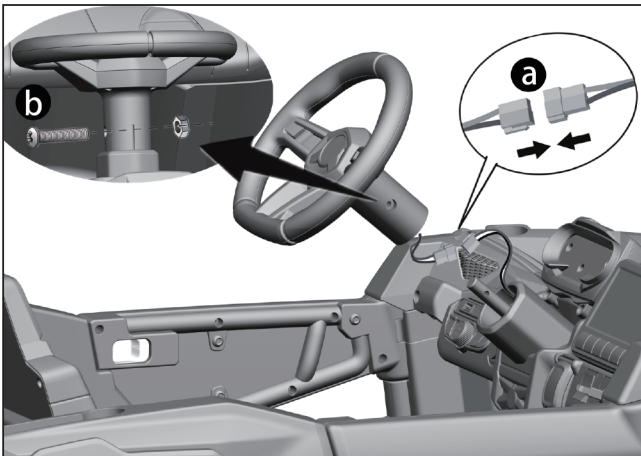
### 11. Install dashboard and plastic trim

- Stuck the plastic trim on dashboard into dashboard when under the MP3 version, it not including under the MP4 version.
- Insert part1 into dashboard and fix it with 2 pcs of M4\*12mm self-tapping screws.



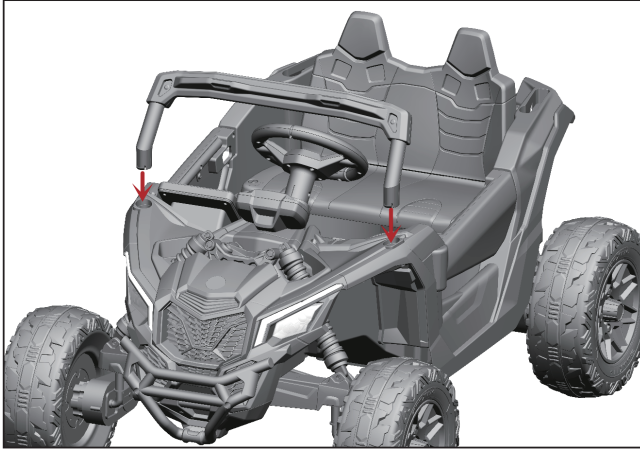
### 12. Install steering wheel

- Connect lines both from steering wheel and dashboard according to the picture.
- Insert steering wheel into dashboard and fix it with M5\*35mm screw bolt and M5 locking screw.



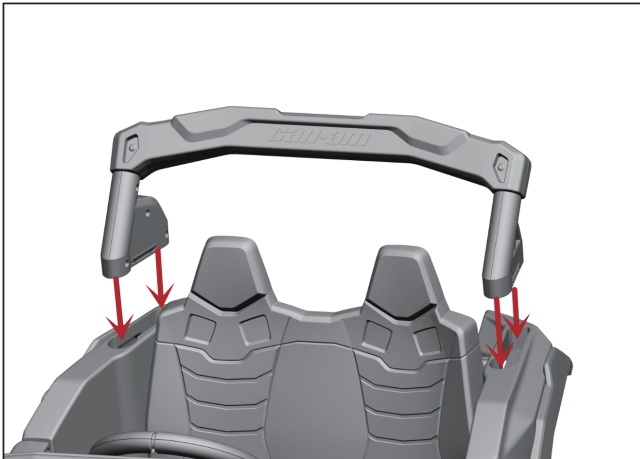
### 13. Install front window shield frame

Insert the front window shield frame into the car body according to the picture.

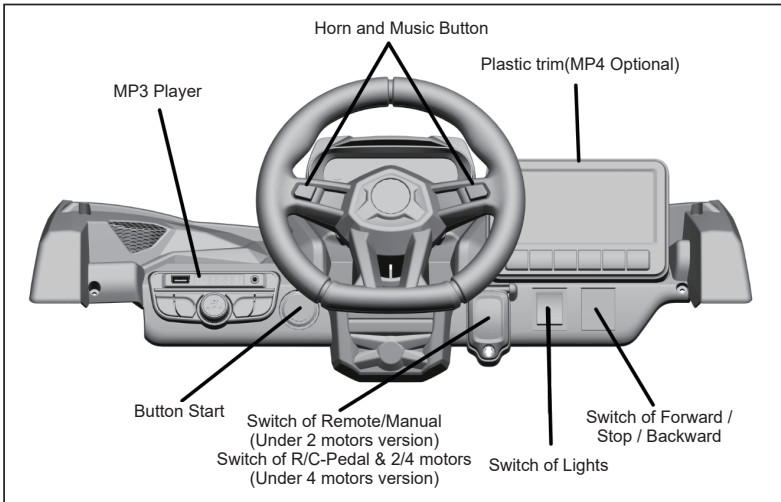


### 14. Install rear bar

Insert rear bar into the car body according to the picture.

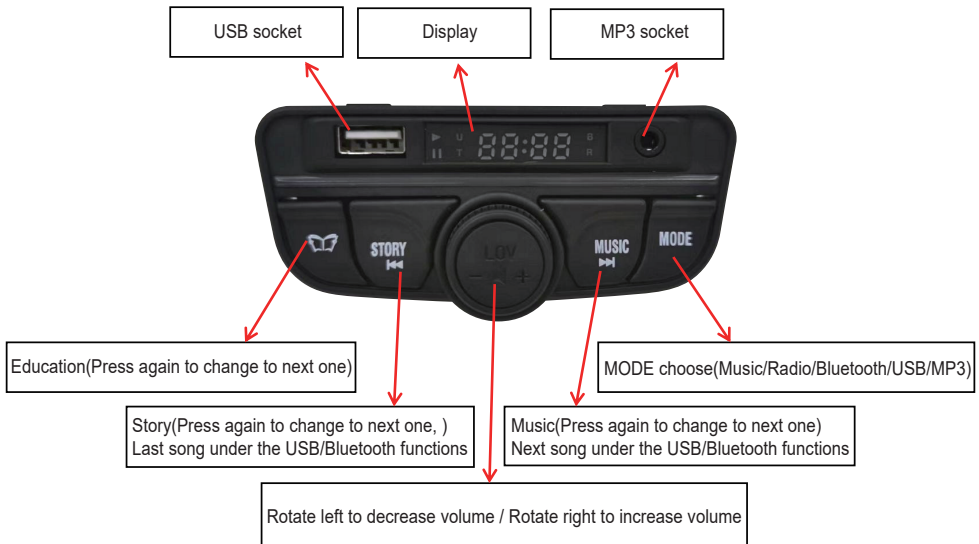


## 4. Function diagram of dashboard



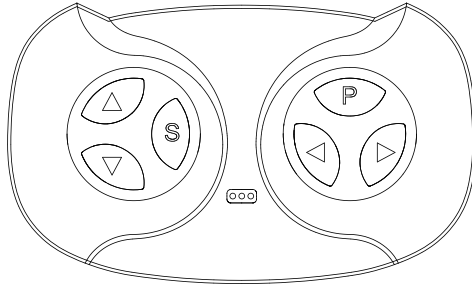
Description for the switch of Manual (Pedal) / Remote (R/C):  
 Under the Manual (Pedal): the car only can drive by the child;  
 Under the Remote ( R/C): the car only can drive by the remote control;

## 5. Introduction of multifunction player



# Instructions

## Connect with Remote Control



### 2.4G Remote Control Instructions

Step 1: The Remote Controller is loaded with two AAA batteries.

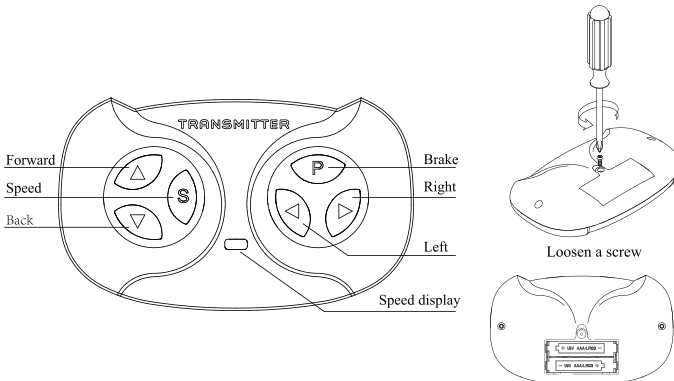
Step 2: Turn off the power switch on the vehicle.

Step 3: Hold down “▲” & “▼” keys for 3 seconds start match code, The first LED flicker, Now turn on the vehicle power switch

The red indicator lights stop flashing, and the code is successful.

Keys caption : “S” set up speed, 1 led lit up is low speed, 2 leds lit up is medium speed, 3 leds lit up is high speed,

“▲” Forward, “▼” Back, “◀” Left, “▶” Right, Press “P” key hold the brake, All LED flicker



Load two AAA(1.5V) batteries

**WARNING!** Not for children under 3 years. Small parts. Choking hazard

- Load two AAA ( 1.5V ) batteries according to the diagram.
- Non-rechargeable batteries are not to be recharged.
- Different types of batteries or new and used batteries are not to be mixed.
- Batteries are to be inserted with the correct polarity.
- Exhausted batteries are to be removed from the toy.
- The supply terminals are not to be short-circuited.
- The packaging must be retained since it contains important information.

\*Manufactured according to FCC certification testing and EMC credential.

\*This remote is to be used by adult only.

## Troubleshooting

**Problem:** The vehicle cannot be driven.

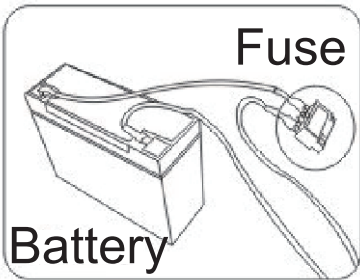
**Cause of the problem:** the battery is insufficient

Please charge in time after each use, and charge at least once a month. It is recommended to charge for 8-12 hours, not more than 20 hours.

**Problem:**The car does not move.

**Answer :** The battery is low, please charge for 8-12 hours but not exceeding 20 hours.

Charge at least once a month to keep the battery cells active.



To avoid short fuse or power cut off:

1. Do not overload the product. Max load is 30 Kg.
2. Do not drag any item behind this product.
3. Do not allow water or any liquid into electric parts.
4. Do not change wire system without a professional.

### TROUBLESHOOTING

**Problem:**The car only runs for a short time.

**Answer 1:** The battery is low, please charge for 8-12 hours but not exceeding 20 hours.

Charge at least once a month to keep the battery cells active.

**Answer 2:** The battery may need to be replaced depending on its charging history and age.

**Problem:**The sound does not work.

Please ensure the volume is turned up and the MP3 line is not connected. Sounds from steering wheel will not work when MP3 is plugged in.

**Problem:**Charger overheating.

It is normal for battery and charger to be slightly warm during charging. If the charger feel excessively hot, please check for a current overload or battery short circuit.

01. While driving , adult supervision is required all the time
02. Always wear a helmet when driving
03. Please don't drive near road or on the footpath.
04. It is not recommended to drive the vehicle on wet surface or on slope greater than 15-degree.
05. It is recommended to drive this vehicle on smooth surface only.
06. Please don't drive this vehicle outdoors when it is raining.
07. Make sure that the vehicle stop completely before changing direction from forward to reverse
08. Please don't allow children to operate the charger or play with the battery
09. Clean the vehicle with a dry cloth only.
10. Please follow the correct weight and age limits allowed to drive this vehicle.
11. It is prohibited to change the circuit or add other electric parts.
12. Adults must teach their children about safe driving procedures.
13. Please turn the power off when not in use.
14. Check the seat to ensure it has been fitted and secured with a bolt before driving.
15. Inspect all wires and connection of the vehicle periodically.
16. Charging the battery should only be done by adults.
17. Charging plug is located underneath the seat.
18. In order to avoid accidents, please ensure the vehicle is safe before driving.
19. Please don't let children touch the wheels or be near them when the car is moving.
20. Please mind fingers when opening and closing doors.

## **WARNING:**

**To reduce the risk of injury, adult supervision is required. Never use in roadways, near motor vehicles, on or near steep inclines or steps, swimming pools or other bodies of water; always wear shoes, and never allow more than 1 rider.**

**Warning: This toy has no brake.**

**Warning: This toy cannot be used in the sands.**



## WARNING!

For safety reasons,

\*please use this vehicle under adult guidance and supervision.  
\*do not use this product on main roads, slopes, highways or other dangerous places.

\*children must wear shoes and protective gears when operating the vehicle.

\*children should be seated with the seat belt fasten when driving.

\*only load a maximum of 30Kg on the vehicle.

\*only children aged 37 - 95 months should be allowed on this vehicle.

\*use this toy strictly according to safety manual.

\*please check the tires, breaks, steering wheels, seats and seat belts before operating vehicle.

\*this toy vehicle should be used with caution and requires skill to avoid fall or collision with third parties.

\*Non-rechargeable batteries are no to be recharged;

\*The supply terminals are not to be short-circuited.

\*Rechargeable batteries are to be removed from the toy before being charged;

\*The toy should be regularly examined for damage to the cord, plug, enclosure and other parts, and in the event of such damage, they must not be used until the damage has been repaired.

-Only use the battery specified by the manufacturer

-Only use the charger specified by the manufacturer.

Pictures are for reference only, please adhere to the original product as standards

The product must be assembled by Adults.

## Warning!

Not suitable for children under 36 months.

Long cord. Strangulation hazard.

Pictures are for reference only, please adhere to the original products as standard

## WARNING:

The car contains battery that are non-replaceable.

The instruction manual must be retained since it contains important information.

## WARNING:

For the purposes of recharging the battery, only use the detachable supply unit provided with this toy.DC adaptor.

## WARNING:

The remote control is not a toy. It is for adult use only, and should not be used by a child. A close adult supervision is always required. Reception range may change significantly with weather, battery, and other environmetnal conditions.

## WARNING:

RISK OF FIRE.DO not bypass.Replace only with JR1922RXS DO 12V Max35.

# Description

Name	DK-CA003
Battery	12V4.5AH / 12V7AH / 12V10AH / 12V14AH 24V5AH / 24V7AH
Motors	390#12V15000RPM(Driving motors) 550#12V12000RPM(Driving motors) 380#12V4800RPM(Steering direction changing motors) 555#24V12000RPM(Driving motors) 395#24V8000RPM(Steering direction changing motors)
Maxium load	30kg
Size	1080*735*635mm
Speed	3-8km/h
Charing time	8-12 hours
Batteries of Remote control	AAA battery 1.5V*2 (not including)
Age	37-95 months
Charger	220V /110V 12V Output: DC12V1000MA or DC15V1000MA 24V Output: DC24V1000MA or DC28.8V 800MA

## Charging the Drive Battery:



**IMPORTANT!** Before using the unit for the first time the battery needs to be charged for at least **8** to **12** hours - no more than **20** hours. Once battery is depleted, recharge for **8** to **12** hours - no more than **20** hours.

### IMPORTANT!

Check the drive battery and charger (supply cord, connector) for wear and damage before charging. Do not charge the battery if damage has occurred. Only replace with the same type and voltage rechargeable battery and charger supplied by the manufacturer.

- Only use the rechargeable battery (or equivalent replacement) and charger supplied with your vehicle.
- Always turn power off and charge battery after riding.
- The drive battery should be charged when depleted, or if not used regularly, once a month. Failure to charge the battery as directed will cause permanent damage to the battery and will void the warranty.

### STEPS:

1. Locate Charging Port.
2. Plug Charger plug into unit Charging Port.
3. Plug Charger into Wall outlet.
4. When battery is fully charged, unplug charger from the wall outlet and disconnect from charger port.

**NOTE:** The charger may feel warm during the charging. If excessively hot, unplug and replace.

**NOTE:** This product has charging protection: When charging, all functions are turned OFF.