

Description

Name	DK-CA005
Battery	12V7AH / 12V14AH / 24V7AH
Motor	12V12000 RPM of driving motor 12V3000 RPM of steering motor 24V12000 RPM of driving motor (4 motors version) 24V22000 RPM of driving motor (2 motors version)
Maximum weight	50 KGS
Dimension	1150*675*710 mm
Speed	3-8 KM/H
Charging time	8-12 hours
Remote control battery	AAA battery 1.5V*2 (not including)
Applicable age	37-95 months
Charger specification	Input: 220V / 110V 12V Output: DC12V1000mA 24V Output: DC28.8V800mA or DC24V1000mA

Charging the Drive Battery:



IMPORTANT! Before using the unit for the first time the battery needs to be charged for at least **8 to 12** hours - no more than **20** hours. Once battery is depleted, recharge for **8 to 12** hours - no more than **20** hours.

IMPORTANT!

Check the drive battery and charger (supply cord, connector) for wear and damage before charging. Do not charge the battery if damage has occurred. Only replace with the same type and voltage rechargeable battery and charger supplied by the manufacturer.

- Only use the rechargeable battery (or equivalent replacement) and charger supplied with your vehicle.
- Always turn power off and charge battery after riding.
- The drive battery should be charged when depleted, or if not used regularly, once a month. Failure to charge the battery as directed will cause permanent damage to the battery and will void the warranty.

STEPS:

1. Locate Charging Port.
2. Plug Charger plug into unit Charging Port.
3. Plug Charger into Wall outlet.
4. When battery is fully charged, unplug charger from the wall outlet and disconnect from charger port.

NOTE: The charger may feel warm during the charging. If excessively hot, unplug and replace.

NOTE: This product has charging protection: When charging, all functions are turned OFF.

Installation And Operation Manual



Model: DK-CA005

Applicable age: 37-95 months

Maximum weight: 50 KGS

Execution Standard:

GB6675&GB19865 EN71&EN62115 ASTM-F963



Pinghu Dake Baby Carrier Co.,Ltd

Address:No.88,Qinsha section,Pinglang Road,Xincang Town,
Pinghu City, Jiaxing City, Zhejiang Province, China

Website: www.daketoys.com

The BRP, Can-Am, Rotax, and Outlander trademarks, logos and designs are the intellectual property of Bombardier Recreational Products Inc. and are used under license by Pinghu Dake Baby Carrier Co., Ltd.

Warning: This is a Child's Toy and NOT intended for Off-Road Use.

1. Spare parts list:

Car body 1 PC	Front bumper 1 PC	Back bumper 1 PC
Dashboard 1 PC	Seat 1 PC	Seat back 1 PC
Cover for handlebar 1 PC	Handlebar 1 PC	Wheel covers 4 PCS
Steering axle 1 PC	Rear axle 1 PC	Wheels 4 PCS
Charge 1 PC	Spanner 2 PCS	Manual 1 PC
Driving motors 2 or 4 PCS	Foot pedal disassembly parts L & R 1 pair	
Remote control 1 PC(not including when without RC function)		
MP3 line 1 PC(not including under the MP4 version)		
Connection for wheels 2 PCS(Under 4 motors version)		
<p>Screw bag: 1 PC</p> <p>Including: M10 nut - 1 PC; Bolt - 1 PC; Spring gasket - 1 PC; M4*12mm big flat head screw (black zinc-plated) - 24 PCS; M12 gasket - 7 PCS; M16 gasket - 2 PCS(only under 2 motors version);</p>		

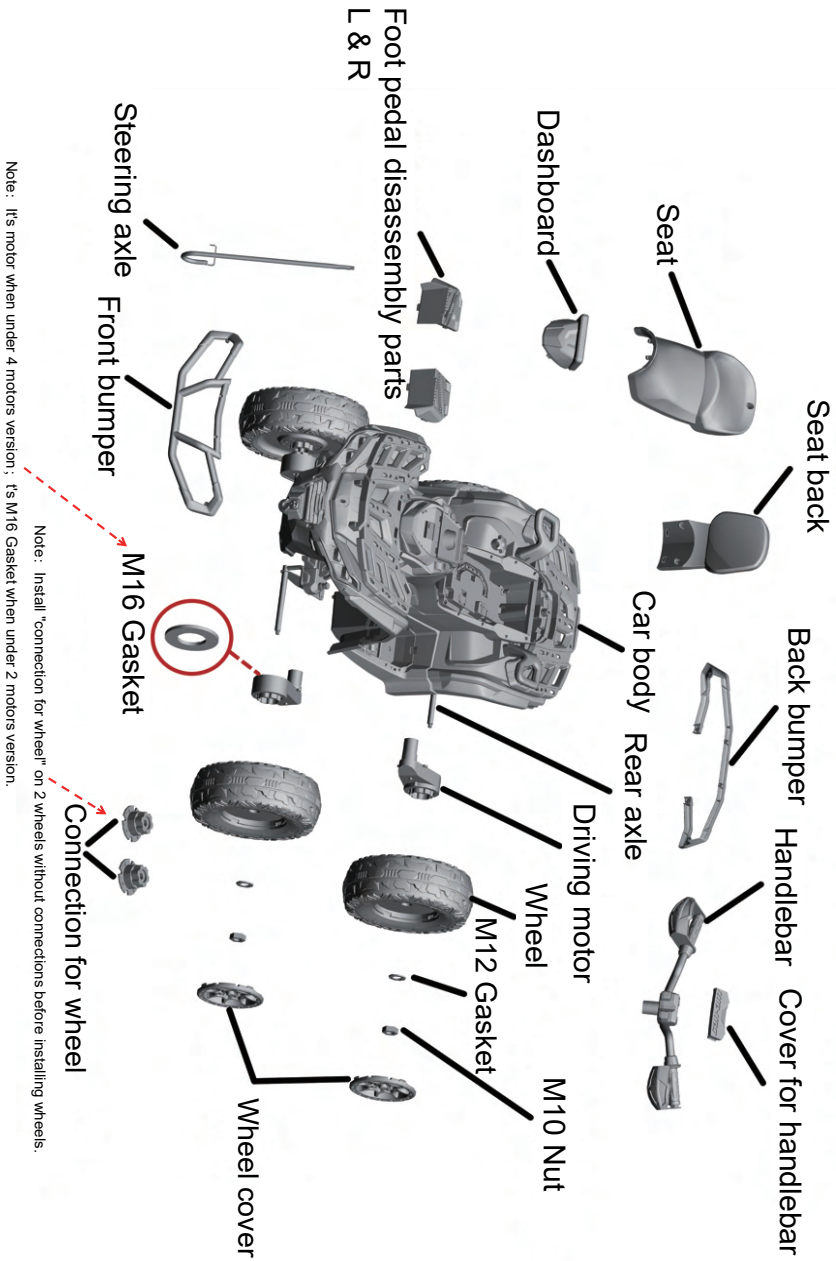
01. While driving , adult supervision is required all the time
02. Always wear a helmet when driving
03. Please don't drive near road or on the footpath.
04. It is not recommended to drive the vehicle on wet surface or on slope greater than 15-degree.
05. It is recommended to drive this vehicle on smooth surface only.
06. Please don't drive this vehicle outdoors when it is raining.
07. Make sure that the vehicle stop completely before changing direction from forward to reverse
08. Please don't allow children to operate the charger or play with the battery
09. Clean the vehicle with a dry cloth only.
10. Please follow the correct weight and age limits allowed to drive this vehicle.
11. It is prohibited to change the circuit or add other electric parts.
12. Adults must teach their children about safe driving procedures.
13. Please turn the power off when not in use.
14. Check the seat to ensure it has been fitted and secured with a bolt before driving.
15. Inspect all wires and connection of the vehicle periodically.
16. Charging the battery should only be done by adults.
17. Charging plug is located underneath the seat.
18. In order to avoid accidents, please ensure the vehicle is safe before driving.
19. Please don't let children touch the wheels or be near them when the car is moving.
20. Please mind fingers when opening and closing doors.

WARNING:
To reduce the risk of injury, adult supervision is required. Never use in roadways, near motor vehicles, on or near steep inclines or steps, swimming pools or other bodies of water; always wear shoes, and never allow more than 2 riders.

Warning: This toy has no brake.

Warning: This toy cannot be used in the sands.

2. Part name



Instructions

Instructions

WARNING!

For safety reasons,

- *please use this vehicle under adult guidance and supervision.
- *do not use this product on main roads, slopes, highways or other dangerous places.
- *children must wear shoes and protective gears when operating the vehicle.
- *children should be seated with the seat belt fasten when driving.
- *only load a maximum of 50Kg on the vehicle.
- *only children aged 37 - 95 months should be allowed on this vehicle.
- *use this toy strictly according to safety manual.
- *please check the tires, breaks, steering wheels, seats and seat belts before operating vehicle.
- *this toy vehicle should be used with caution and requires skill to avoid fall or collision with third parties.

- *Non-rechargeable batteries are no to be recharged;
 - *The supply terminals are not to be short-circuited.
 - *Rechargeable batteries are to be removed from the toy before being charged;
 - *The toy should be regularly examined for damage to the cord, plug, enclosure and other parts, and in the event of such damage, they must not be used until the damage has been repaired.
 - Only use the battery specified by the manufacturer
 - Only use the charger specified by the manufacturer.
- Pictures are for reference only, please adhere to the original Products as standard

The product must be assembled by Adults.

Warning! Not suitable for children under 36 months.

Long cord. Strangulation hazard.

Pictures are for reference only, please adhere to the original products as standard

WARNING:

The car contains battery that are non-replaceable.

The instruction manual must be retained since it contains important information.

WARNING:

For the purposes of recharging the battery, only use the detachable supply unit provided with this toy. DC adaptor.

WARNING:

The remote control is not a toy. It is for adult use only, and should not be used by a child. A close adult supervision is always required. Reception range may change significantly with weather, battery, and other environmental conditions.

WARNING:

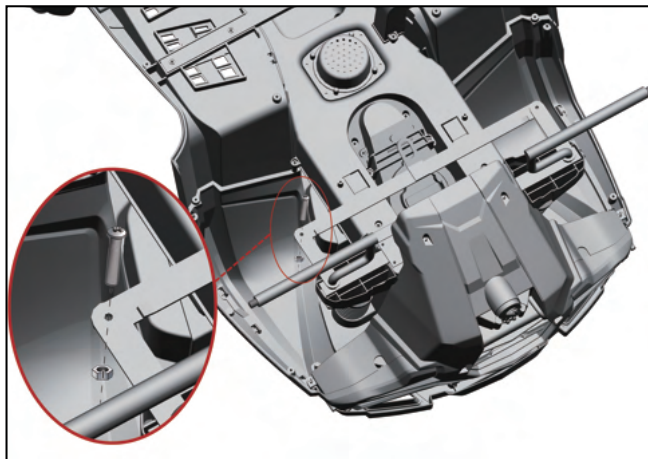
RISK OF FIRE. DO not bypass. Replace only with JR1922RXS-RM DC 12V Max 35A or HY2005RX-RM-24V DC 24V Max 40A .

3. Installation steps

Step 1: Adjust front axle

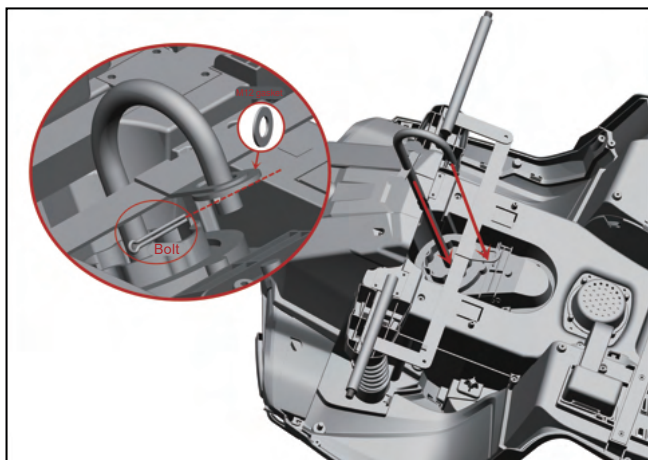
Please adjust front axle to be in place as picture shows, and then insert 1 PC of M6*13mm screw bolt through the cross holes from two iron parts of the front axle. Finally, fix them with 1 PC of M6 nut. Please note that no need to fix very tight, we should ensure that the front axle of changing direction can be turning smoothly.

PS: 1 PC of M6*13mm screw and 1 PC of M6 nut are already on the iron parts of the front axle and need to be removed before installation.



Step 2: Install steering axle

Insert the steering axle into the car body, and use 1PC of M12 gasket and 1PC of bolt to fix.



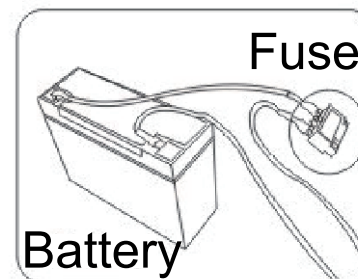
Troubleshooting

Problem: The vehicle cannot be driven.

Cause of the problem: the battery is insufficient
Please charge in time after each use, and charge at least once a month. It is recommended to charge for 8-12 hours, not more than 20 hours.

Problem:The car does not move.

Answer : The battery is low, please charge for 8-12 hours but not exceeding 20 hours.
Charge at least once a month to keep the battery cells active.



To avoid short fuse or power cut off:

1. Do not overload the product. Max load is 50 Kg.
2. Do not drag any item behind this product.
3. Do not allow water or any liquid into electric parts.
4. Do not change wire system without a professional.

TROUBLESHOOTING

Problem:The car only runs for a short time.

Answer 1: The battery is low, please charge for 8-12 hours but not exceeding 20 hours.
Charge at least once a month to keep the battery cells active.
Answer 2: The battery may need to be replaced depending on its charging history and age.

Problem:The sound does not work.

Please ensure the volume is turned up and the MP3 line is not connected. Sounds from steering wheel will not work when MP3 is plugged in.

Problem:Charger overheating.

It is normal for battery and charger to be slightly warm during charging. If the charger feel excessively hot, please check for a current overload or battery short circuit.

7. Remote control instructions

Notes: Remote Control is not available for 24V version

Warning! It is not suitable for children under 3 years old.
There are small parts inside and there is a risk of suffocation

- Install two AAA / 7 (1.5V) dry batteries as shown in the figure
- Use a non rechargeable battery, do not charge the battery
- Different types of batteries or old and new batteries cannot be mixed
- Take out the battery from the product in time when the battery runs out
- The positive and negative terminals of the power supply shall not be short circuited
- The package of this product contains important information, please keep it

*Manufactured according to FCC certification testing and EMC credential.

*This remote is to be used by adult only.

⚠ Warning! The remote control should be used by a guardian. There are small parts inside and there is a risk of suffocation. Please keep away from children.

-The toy must be assembled by adult before use. All circuit connections in the toy must be connected properly. Any wrong circuit connections could cause possible dangerous malfunctions, short circuit, sudden equipment failure and other possible failures. A sharp edge or point, or small part that is potentially dangerous.

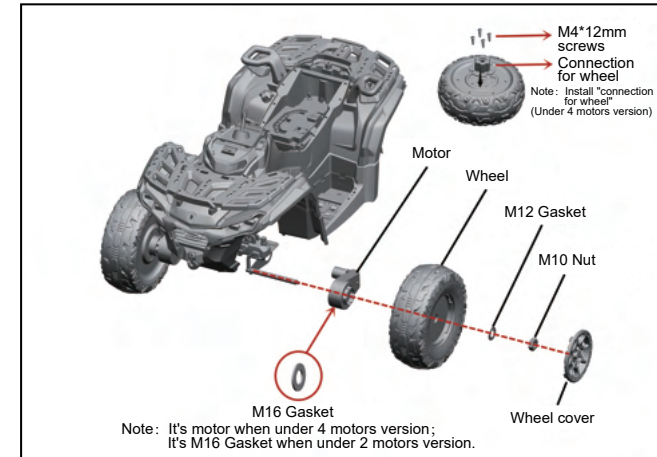
- Batteries are to be inserted with the correct polarity(+ and-)
- This toy is unsuitable for children under 3 years due to its maximum speed.

Step 3: Install front wheels

PS: Use 4PCS M4*12mm screws to fix the "connection for wheel" onto the wheels under 4 motors version first.

A: Under 2 motors version: install spare parts onto front axle following the sequences: M16 gasket - Wheels - M12 gasket - M10 nut - Wheel cover.

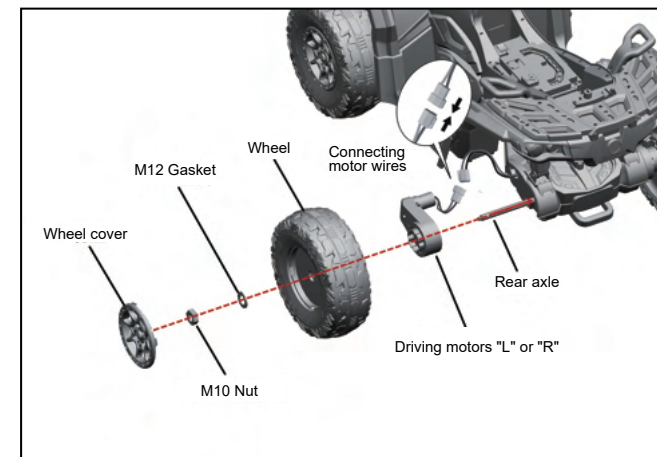
B: Under 4 motors version: install spare parts onto front axle following the sequences: Wheels - M12 gasket - M10 nut - Wheel cover.



Step 4: Install rear wheels

A: Insert rear axle into the car body.

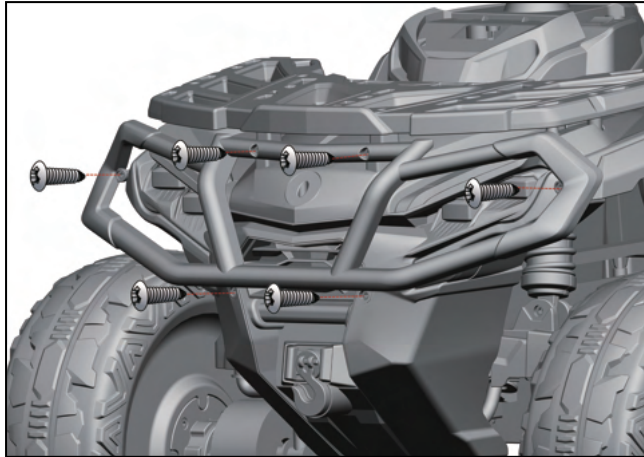
B: Install spare parts following sequences: Driving motors "L" or "R" - Wheel - M12 gasket - M10 nut - Wheel cover.



Installation steps

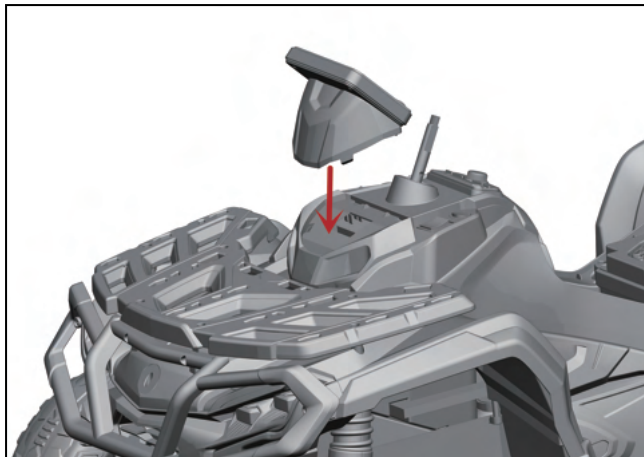
Step 5: Install front bumper

Install front bumper onto the car body, and use 6 PCS of M4*12mm screws to fix.



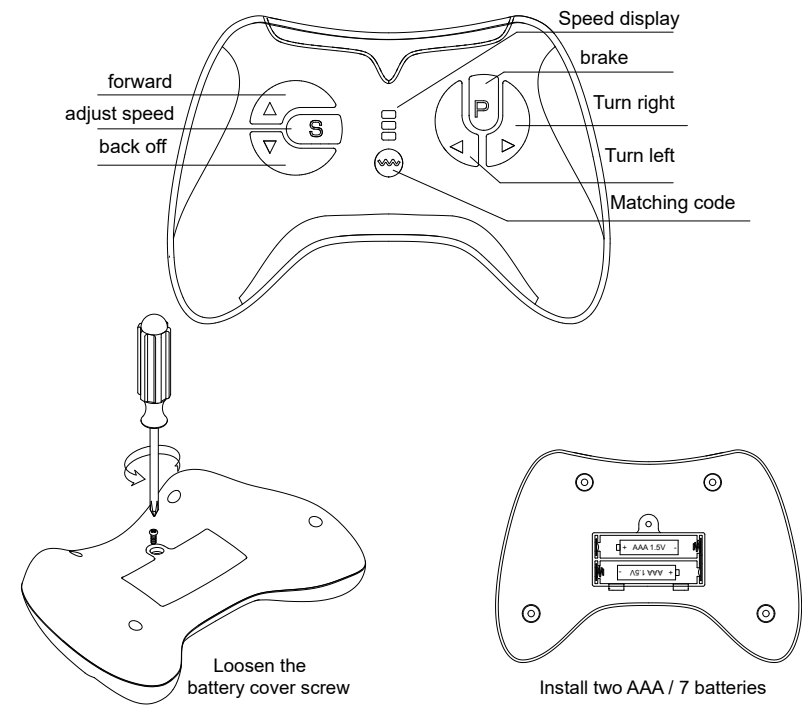
Step 6: Install dashboard

Install dashboard into the car body according to the picture.



Instructions

6. Remote control frequency matching



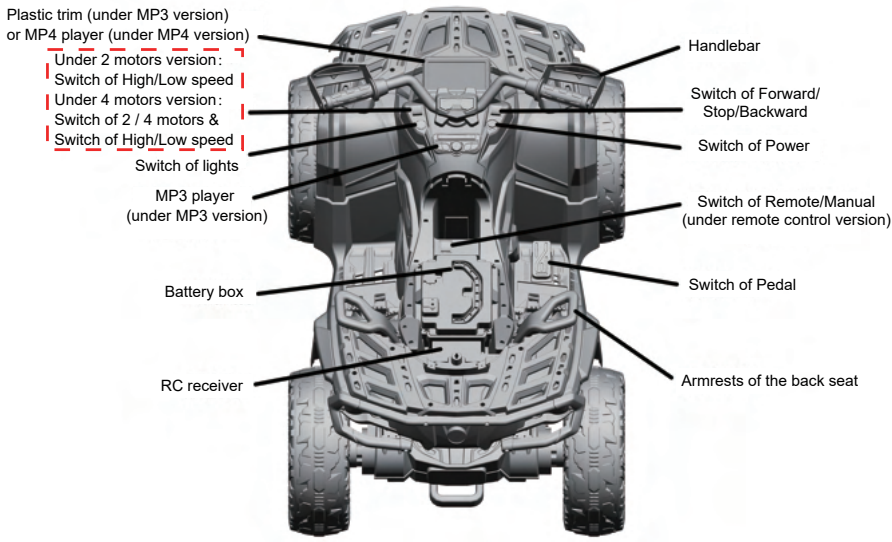
2.4G remote control manual

The first use requires code matching. This product has built-in memory, and it is unnecessary to code after replacing the battery.

1. Turn off the power of the car body, press and hold the "m" key of the remote control, the first indicator light starts to flash after 3 seconds, and then release the key
2. At this time, turn on the power switch of the car body, the first indicator light of the remote control will become normally on, and the code matching is successful
3. When the remote control is not in use, it will enter the sleep state after 10 seconds. Press any key to wake up.
4. Key function description: "forward", "backward", "left", "right", "s" speed regulation, "P" brake. Press the "s" key to set the speed, one light is low speed, two lights are medium speed, three lights are high speed, only medium speed when reversing. Press the "P" key to enter the braking state, the indicator lights all flash, and press the "P" key again to exit the braking state

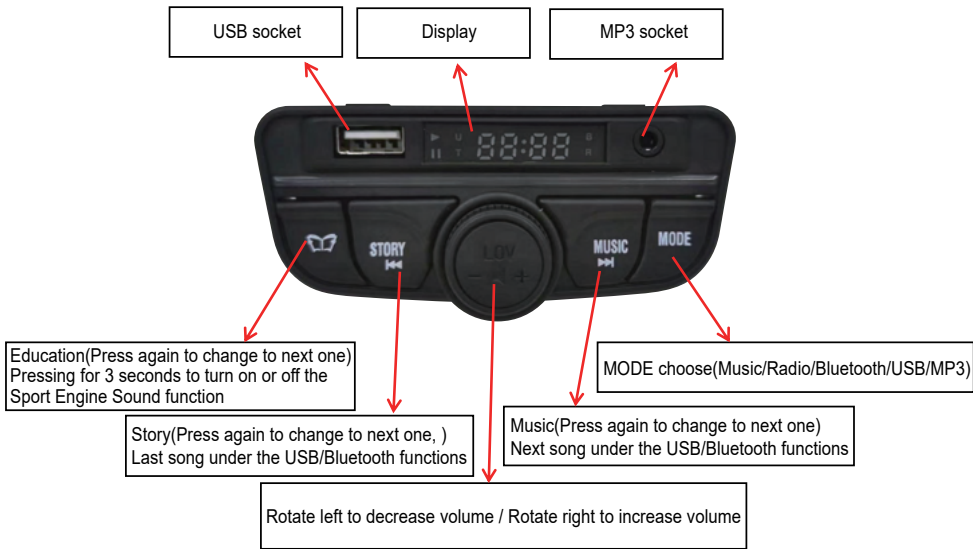
Instructions

4. Introduction for the car



Description for the switch of Manual / Remote:
 For safety reason, the switch of Manual / Remote is installed under the seat, so that children can't touch it.
 Under the Manual: the car only can drive by the child;
 Under the Remote: the car only can drive by the remote control;

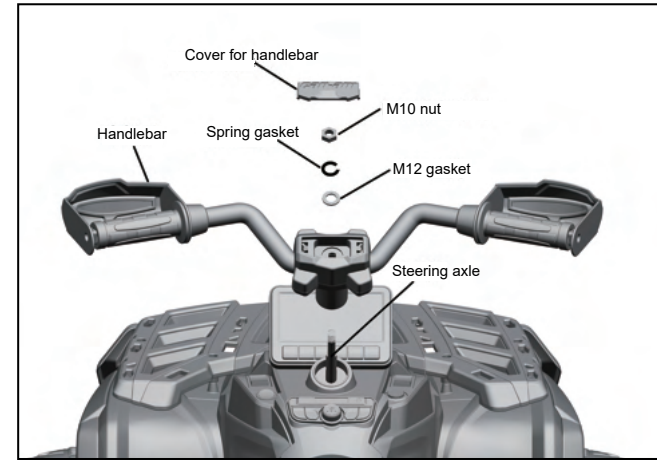
5. Introduction for MP3



Installation steps

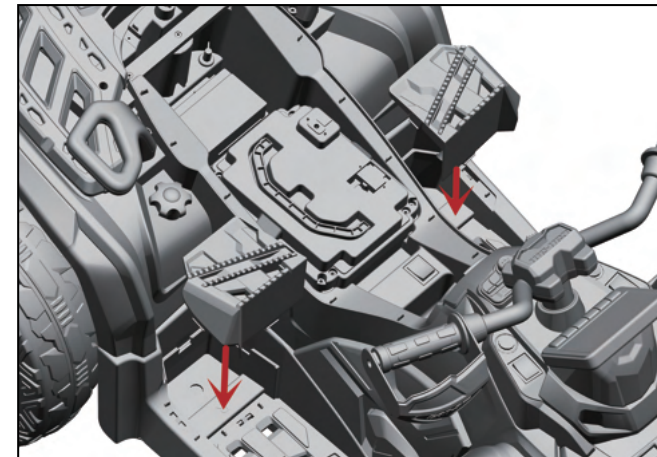
Step 7: Install handlebar

Install the handlebar into the car body, then place: "M12 gasket" - "Spring gasket" - "M10 nut" in sequence to fix on the steering axle (Tighten as tight as possible), finally, cover the "Cover for handlebar".



Step 8: Install foot pedal disassembly parts L & R

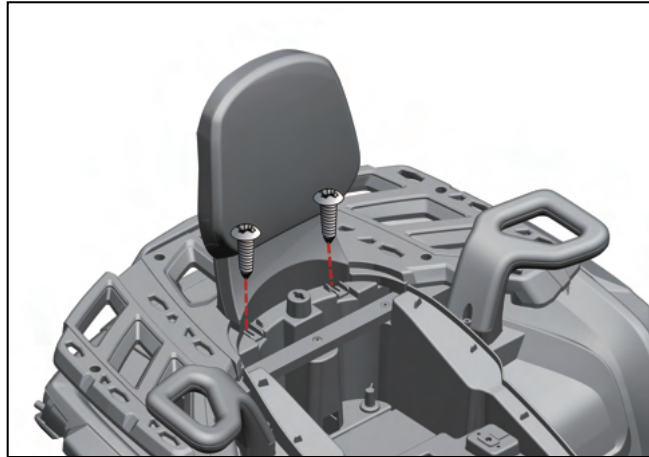
Install foot pedal disassembly parts L & R into the car body according to the picture.



Installation steps

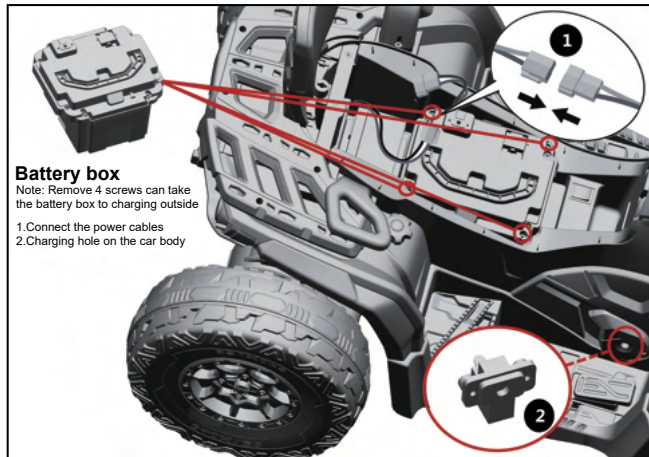
Step 9: Install seat back

Install seat back onto the car body, and use 2 PCS of M4*12mm screws to fix.



Step 10: Connect the power

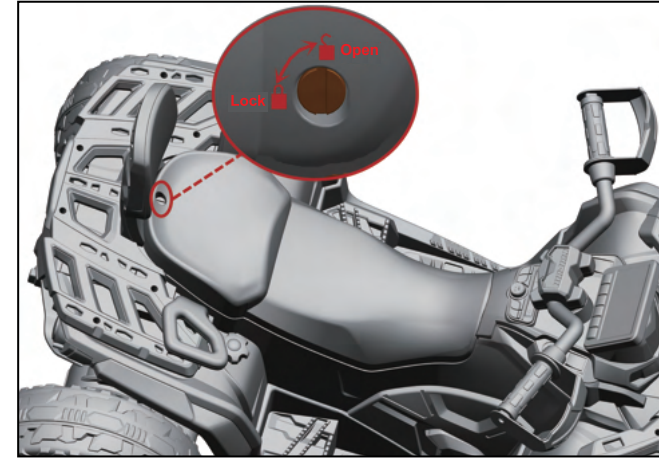
Connect power cables with red plug in part.



Installation steps

Step 11: Install seat

Install the seat onto the car body and rotate the seat to fix.



Step 12: Install back bumper

Install back bumper onto the car body, and use 6 PCS of M4*12mm screws to fix.

