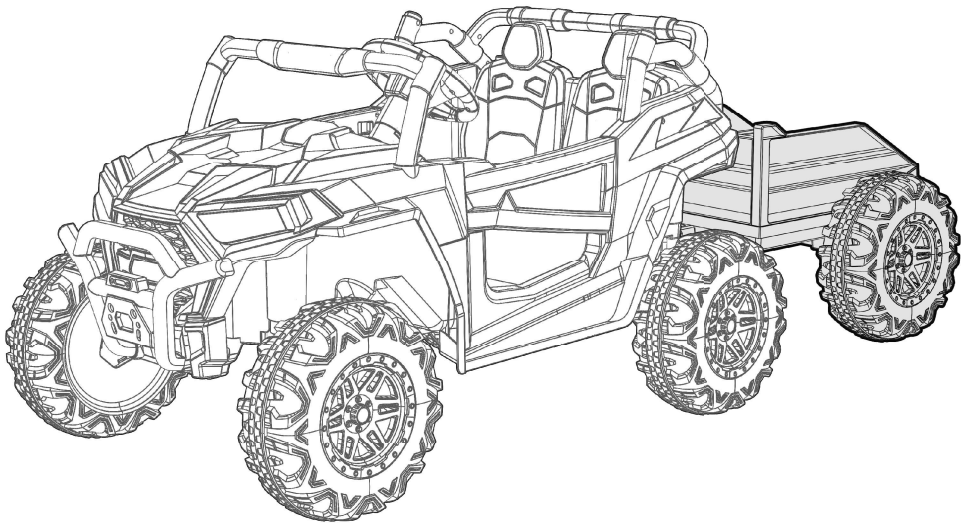


Trailer's Assembly Instructions

Product size with trailer: 178 * 71 * 68 CM



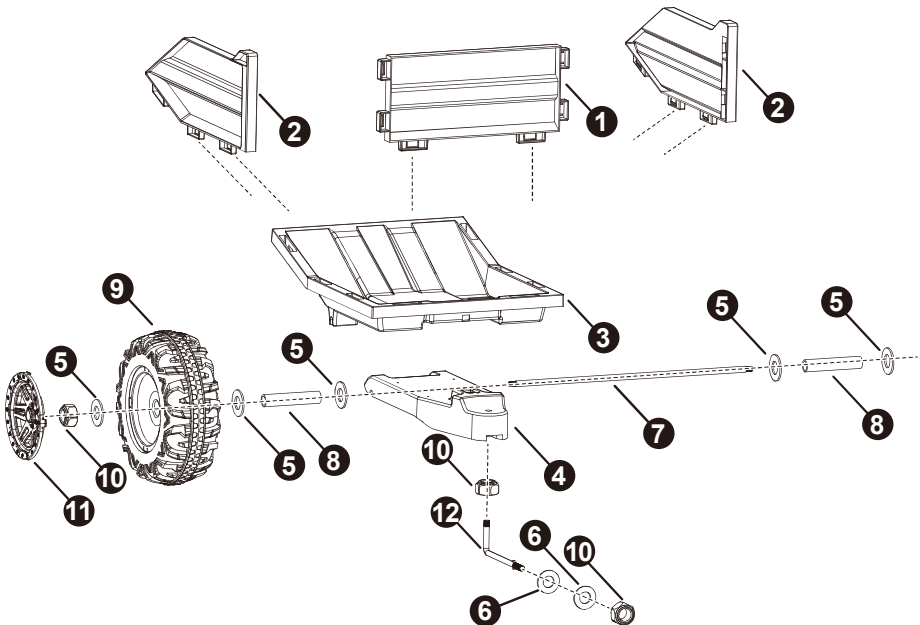
⚠ WARNING! ADULT ASSEMBLY REQUIRED.

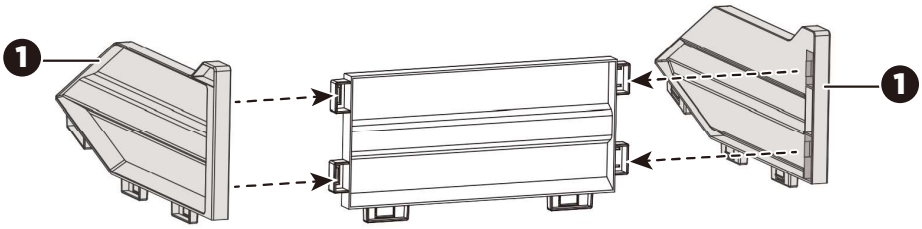
- ⚠ WARNING!**
- The trailer is not allowed to be used alone, it must be used with the UTV
 - No stepping, climbing, sitting, lying on or in trailer bed.
 - Never ride in trailer bed.
 - Maximum load of trailer is 5 kg (11 lb).



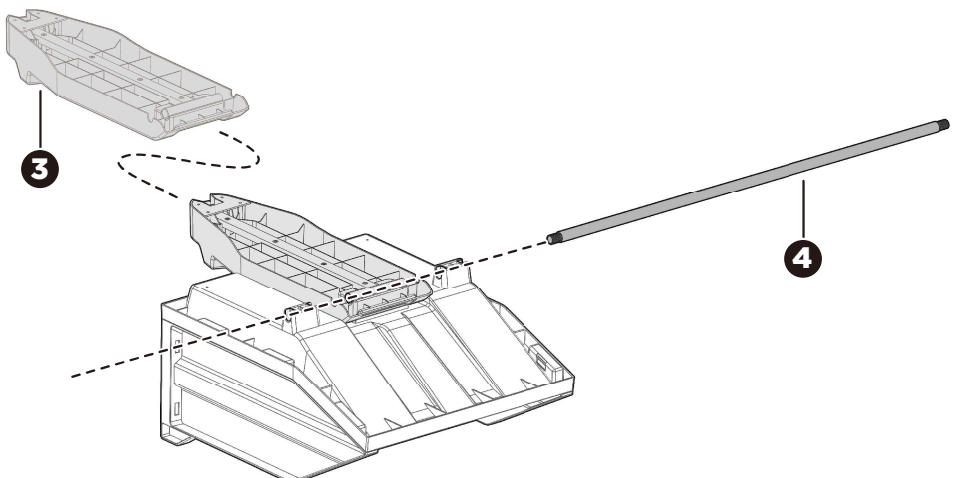
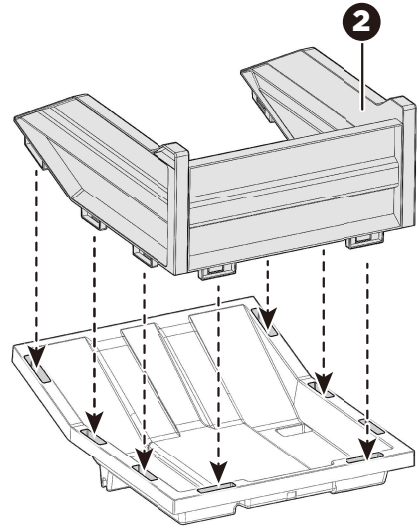
PART NO.	PART NAME	Q'ty (pcs)	REMARKS
1	Front rail	1	
2	Side rail	2	Left and right
3	Trailer bed	1	
4	Trailer connector	1	
5	Ø12 washer	6	
6	Ø10 washer	2	
7	Trailer axle	1	
8	Iron bushing	2	
9	Normal wheel	2	
10	Lock nut	3	
11	Wheel cover	2	
12	Tow rod	1	

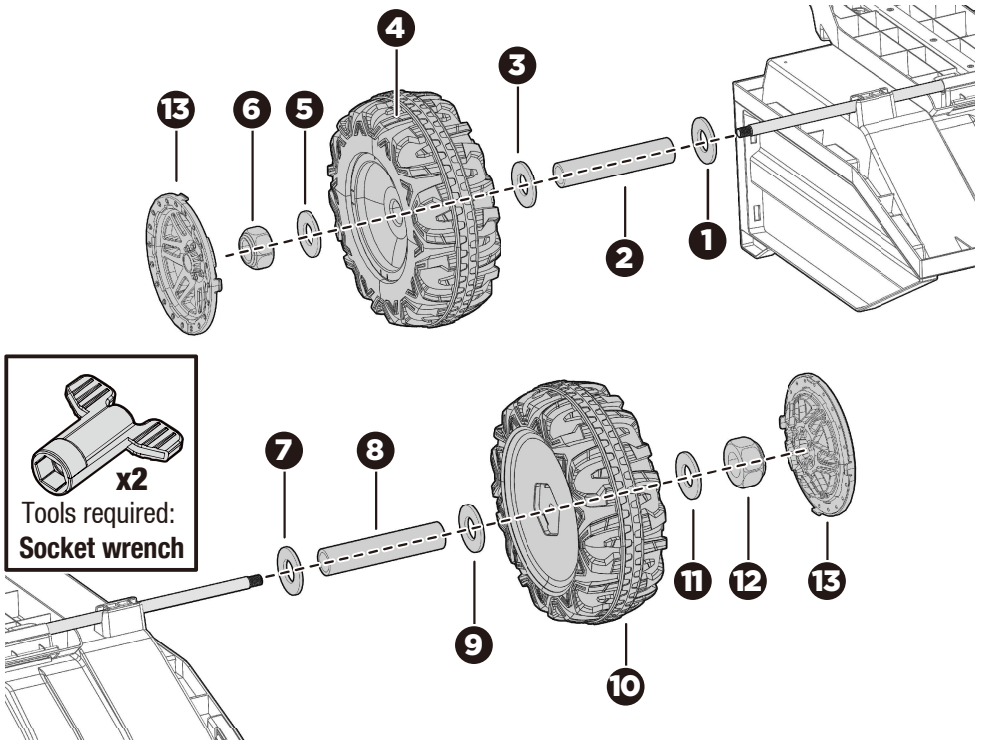
HINT: Some parts shown are assembled on both sides of vehicle



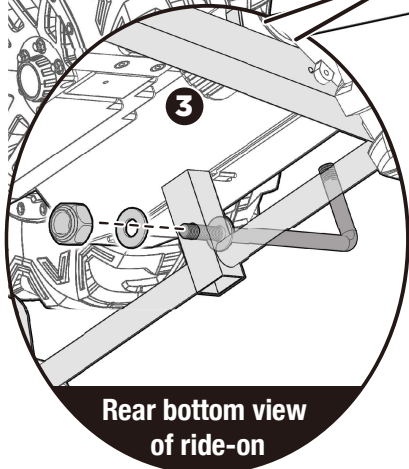
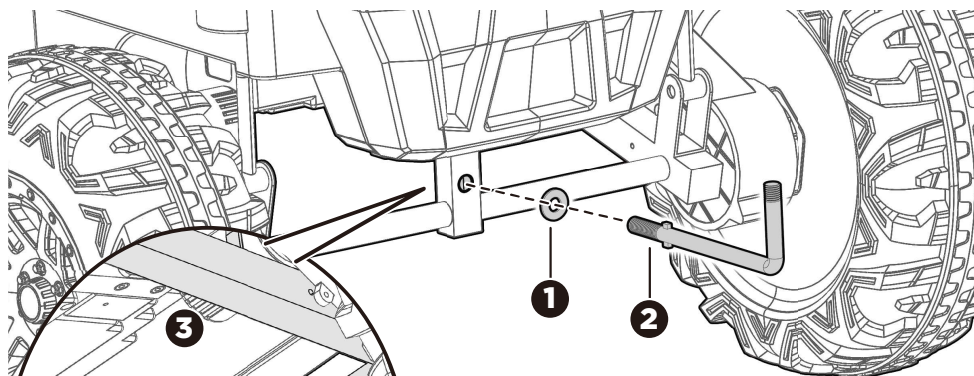


1. Fit the two side rails to the front trailer.
2. Insert the tabs on the rails into the holes on the trailer bed. Push until you hear them “click” into place.
3. Fit the trailer connector to the trailer bed.
4. Pass the trailer axle into the holes in the trailer bed, the holes in the trailer connector, and out through the holes on the other side of the trailer bed.

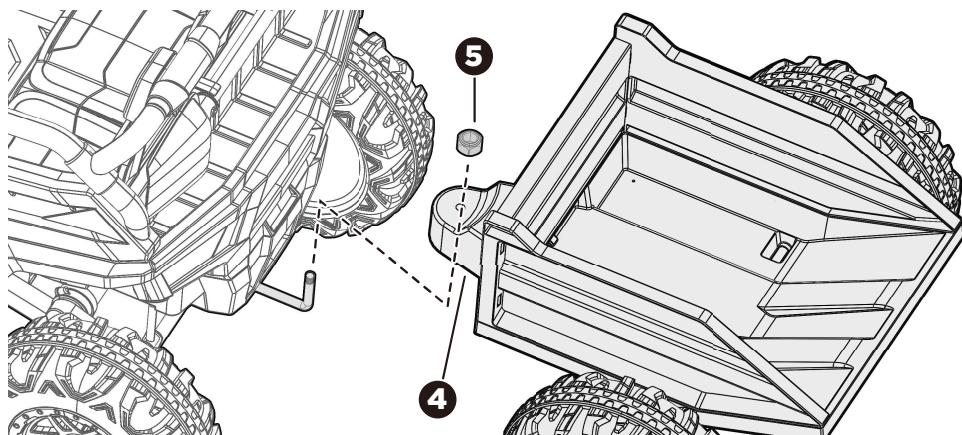




1. Slide a $\varnothing 12$ washer onto the trailer axle.
2. Slide a iron bushing onto the trailer axle.
3. Slide another $\varnothing 12$ washer onto the trailer axle.
4. Slide a normal wheel onto the trailer axle.
5. Slide a $\varnothing 12$ washer onto the trailer axle.
6. Tighten a lock nut to the end of the trailer axle with a socket wrench.
- 7-12. Repeat steps 1-6 to assemble the other trailer wheel. HINT: An extra socket wrench has been provided to hold the Lock Nut on the other side of the trailer axle while tightening the Lock Nut.
13. "Snap" the wheel covers to the wheels.



1. Slide a $\varnothing 12$ washer onto the tow rod from the end with tow stops.
2. Slide a the tow rod into the holes in the middle of the rear beam.
3. Slide a $\varnothing 12$ washer onto the tow rod. Tighten a lock nut to the end of the tow rod with a socket wrench.
4. Fit the trailer assembly to the bent end of the tow rod.
5. Tighten a lock nut to the bent end of the tow rod with a socket wrench.



- Move the lock on the top of the trailer body to unlock the trailer, the trailer can be easily tipped over.

⚠ WARNING!

- No stepping, climbing, sitting, lying on or in trailer bed.
- Never ride in trailer bed.
- Maximum load of trailer is 5 kg (11 lb).

