

INSTRUCTION MANUAL



Kids Ride-On fire engine L911
Police L110
Ambulance L120

Please read the instructions carefully before use!

Instructions before use:

Dear customers, please read this manual carefully before you use the products. Because it can tell you the correct method of installation and operating procedures to avoid damaging the products or hurting your children caused by incorrect operating procedures and without understanding safety knowledge. Please keep this instruction for future use and place it in easily accessible place.

Operative norm:

EN 71-1-2-3;

EN62115

ASTM F963

CPSIA

GB6675.1-2014

GB6675.2-2014

GB6675.3-2014

GB6675.4-2014

GB19865-2005

USER WARNINGS

The following safety hazards may result in serious injury or death:

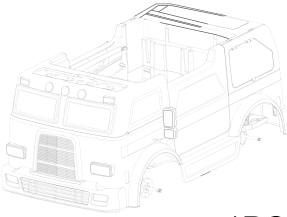
- A: Never leave a child unattended.
- B: Always sit in the seat when using this vehicle.
- C: Keep your hands, hair and clothes away from moving parts.
- D: Always wear shoes when operating this vehicle.
- E: Only one rider is allowed on the vehicle at a time.
- F: Children under 3 years of age cannot use the vehicle.
- G: Only drive on level ground.
- H: Do not go near swimming pools or other bodies of water, drop-offs, or up and down steep inclines.
- J: Do not drive the vehicle into loose dirt, mud, sand, fine gravel, or on wet surfaces.
- K: Do not drive the vehicle on streets or near cars.
- L: **WARNING**. Not to be used in traffic.
- M: A recommendation for adult supervision of young children.
- N: The toy should be used with caution since skill is required to avoid falls or collisions causing injury to the user or third parties.

SPECIFICATIONS:

Overall Dimensions	143x81x72cm	Run Time	1-3 hours
Weight	34.6KGS	Max Speed	3.8 KM/H
Weight Capacity	35KG	Charging Time	8-12 hours
Age Range	36-95 months	Materials	Plastic, metal
Battery Type	12V 7AH; 12V 10AH 24V 5AH; 24V 7AH		
Electric Motor	45W*2 OR 45*2+25W*2		
Charger	DC 12V OR DC 24V		

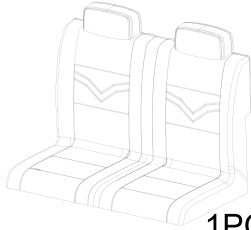
Parts name:

A BOBY



1PC

B SEAT



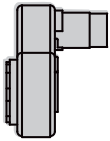
1PC

C WHEELS



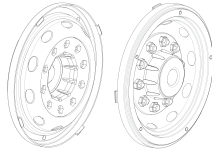
4PCS

D GEAR CASE



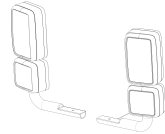
2PCS

E HUB CAP



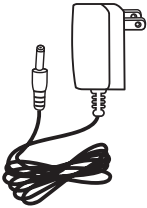
4PCS

F FRONT FRAME



2PCS

G CHARGER



1PC

H STICKER



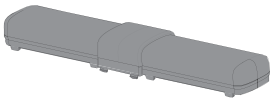
1SET

I WRENCH



2PCS

J WARNING LIGHTS



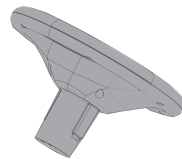
1SET

K ALARM LIGHT COVER



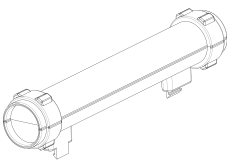
1PC

L STEERING WHEEL



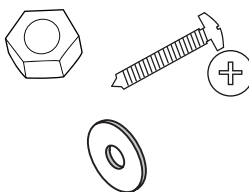
1 PC

M FIRE HOSES



2PCS

N SCREW PACKAGE



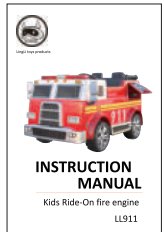
1SET

O 2.4G REMOTE CONTROL



1PC

P INSTRUCTION



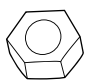
1PC

Q

R

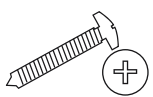
Hardware:

1 M10 NUT




4PCS

2 Ø4X10MM SCREW



4PCS

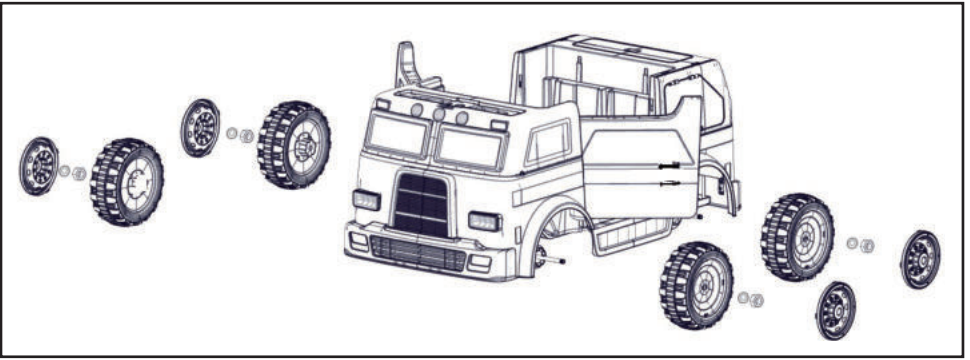
3 12MM WASHER



8PCS

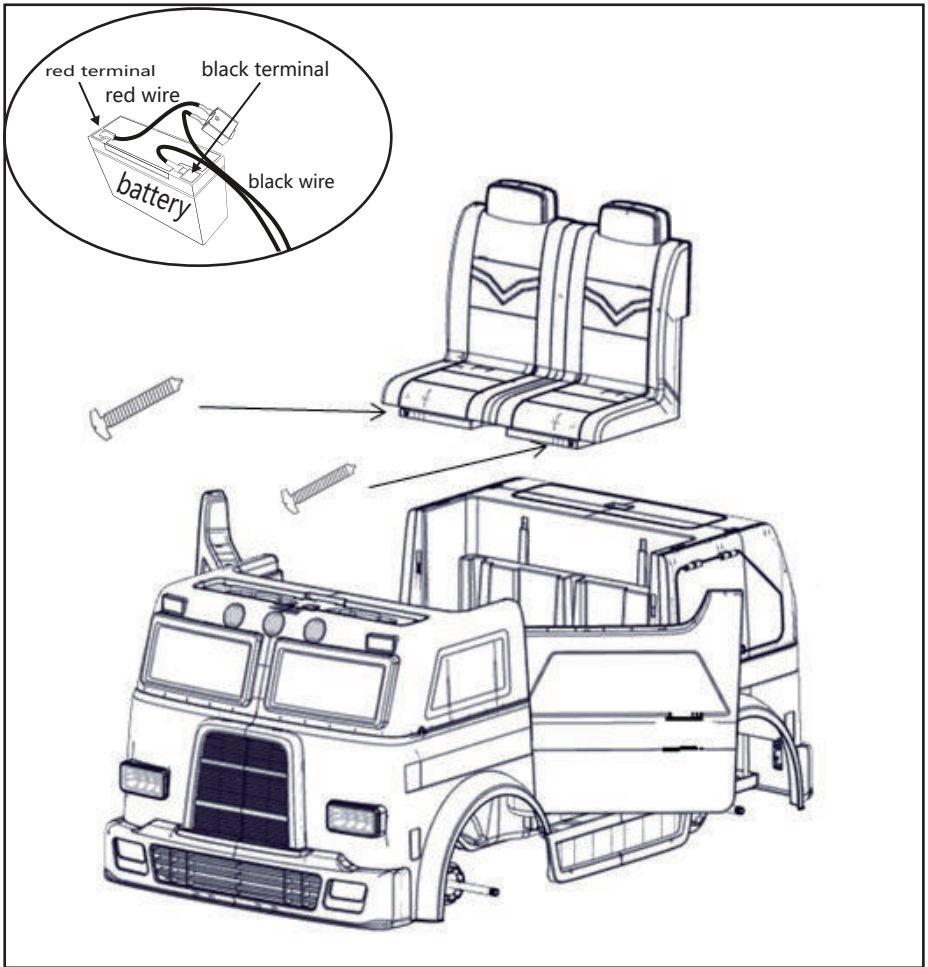
Assembly Process Diagram

- 1: Before using, the vehicle must be assembled by an adult. It takes about 10 minutes to assemble the product.
- 2: Small parts are likely to be swallowed into throat, and prohibit children from touching and playing.
- 3: Before installation, please check the number of all parts, and packaging bags of product should be disposed. Prohibit children from playing with it, which may result in the danger of suffocation.



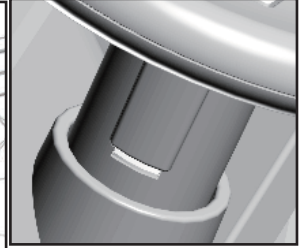
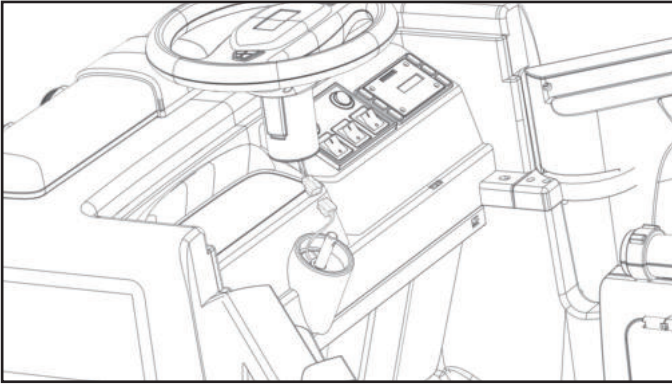
- 1: Assembly front wheel: As shown, first of all, put a shim set into the front axle, set into the front wheel, and then sets out into a shim, mounted on the cotter pin, cover wheel cover the method of assembling the same other front wheel.
 - 2: Put the motor on the rear axle, put the motor into the hole of the body. may sure that the motor is colosed the body. then take out the wheel with the protruding plum set into the motor. pad on the shim and the cotter pin, then cover the wheel cover.
- Then use the same method of assembling the other rear wheel. nstall cushion; cushion back card hooks to the body, take the two self-tapping screws fixed cushion.

3: Open the door

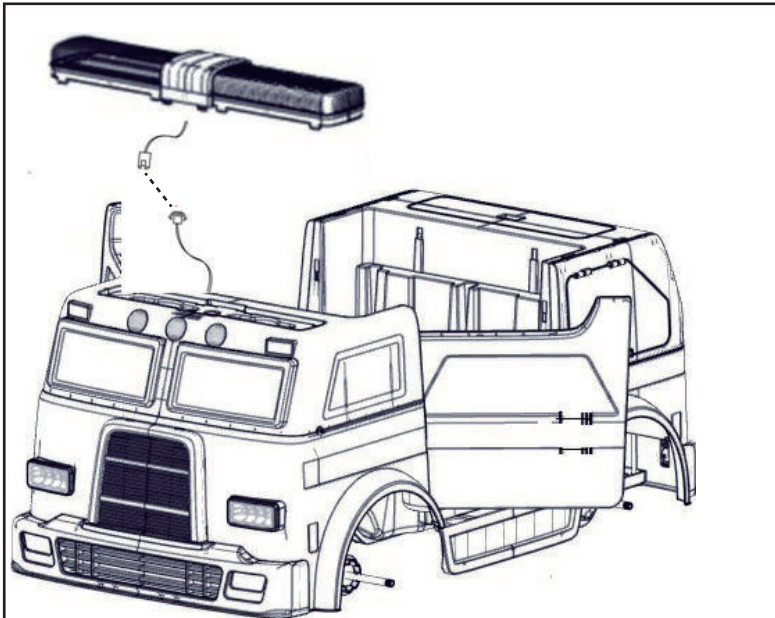


- 4 : Plug in the red end plug on the battery, connect the total power supply;
- 5: Install the seat cushion, with two 4X10MM screws in front of the seat.

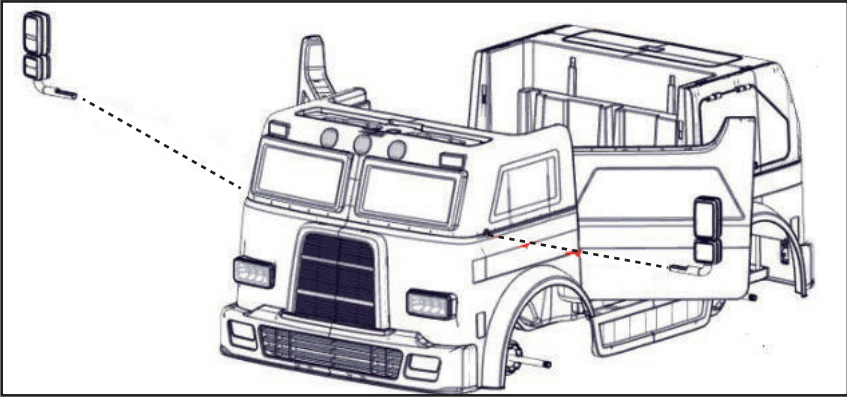
6 : Steering wheel installation: one key is inserted into the steering rod, and the installation is completed.



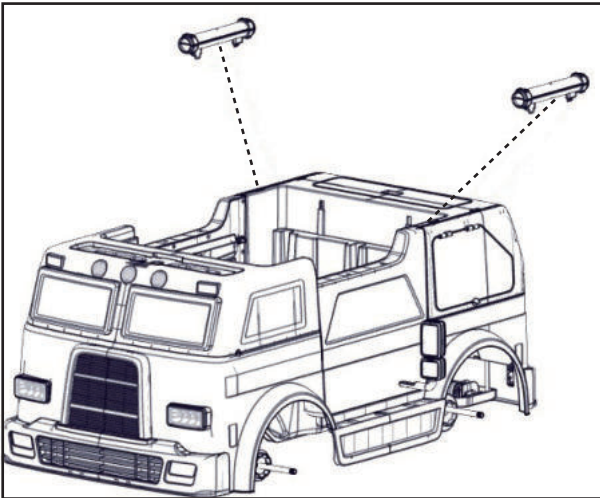
7: install warning light alarm: connect the alarm lamp wire to the line on the front of the car, test the alarm light, and then put the warning light on the front of the car, and finally put the warning light on the card.



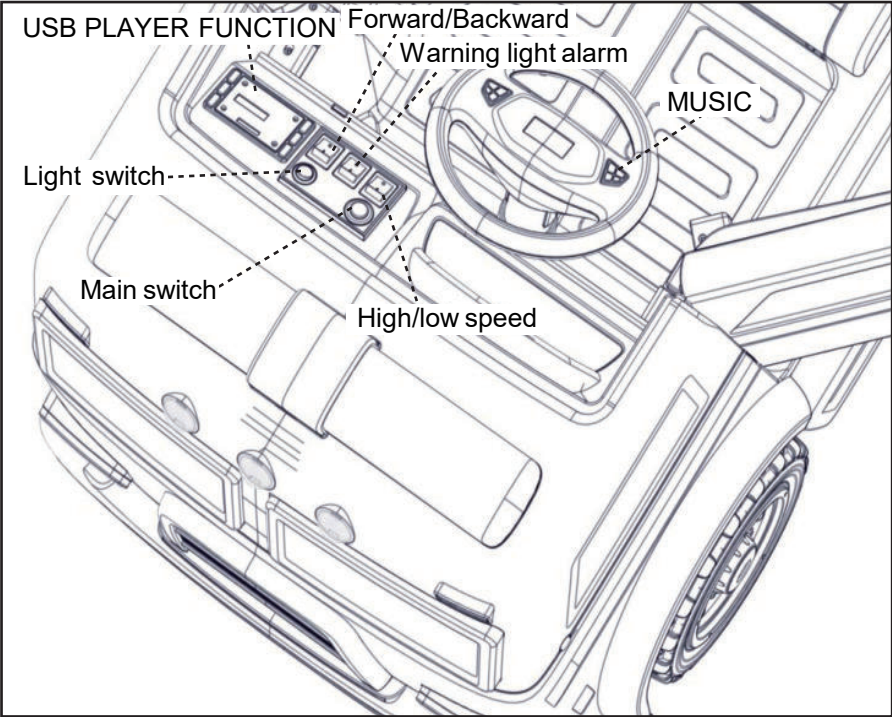
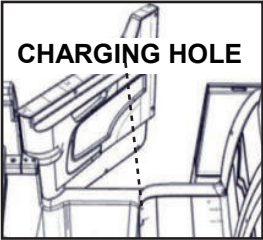
8: install the reflector: the mirror is inserted directly into the front of the car.



9: install fire hose: insert directly on both sides of the seat.

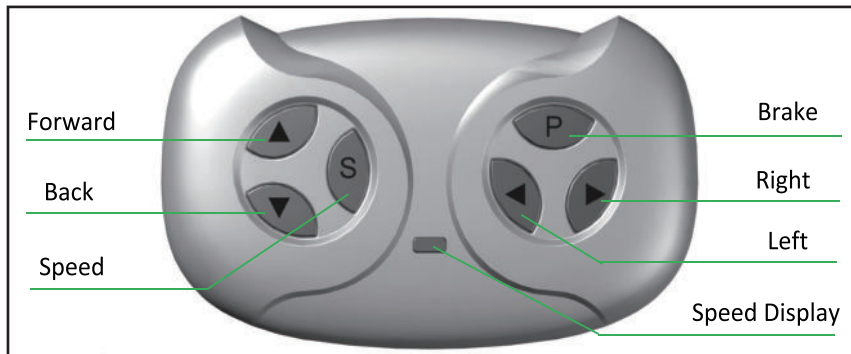


Operating function



How to use remote control

2.4G Remote Control Manual



Instructions:

Hold down Forward key & Back key for 3 seconds start match code, The first LED flicker;

Turn on the car body power now, The first LED lit up, Match code Success

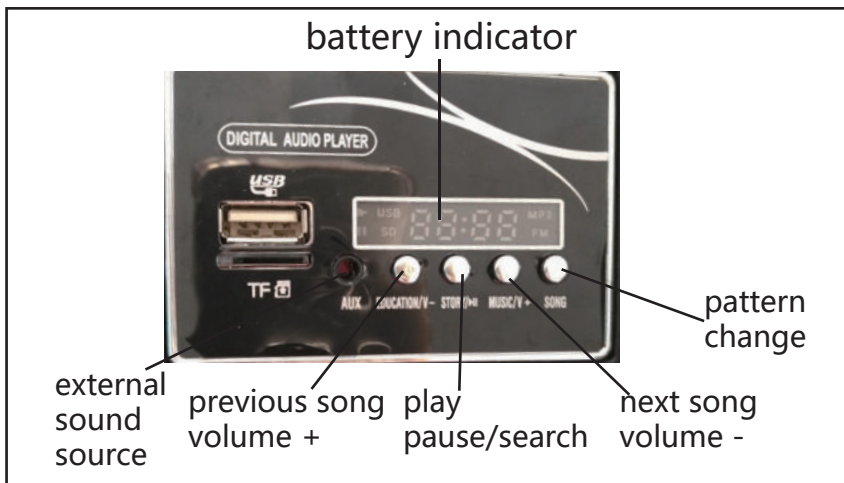
Press " S " key set up speed , 1 led lit up is low speed, 2 leds lit up is medium speed, 3 leds lit up is high speed, Back a car is only low speed

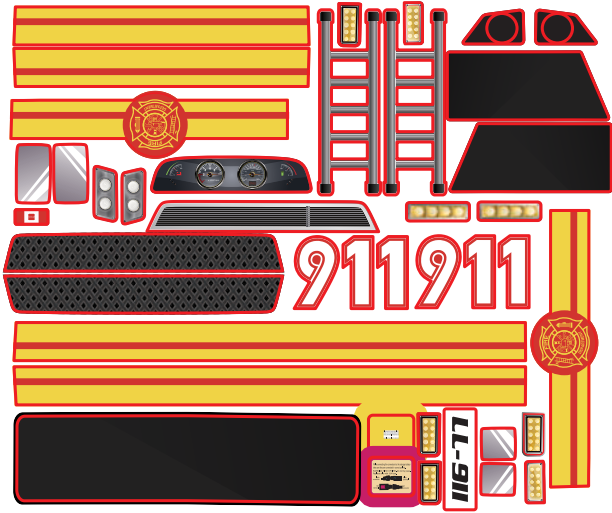
Press " P " key hold the brake, All LED flicker

Remoter 10 seconds not run will be standby ,Press any key wake up

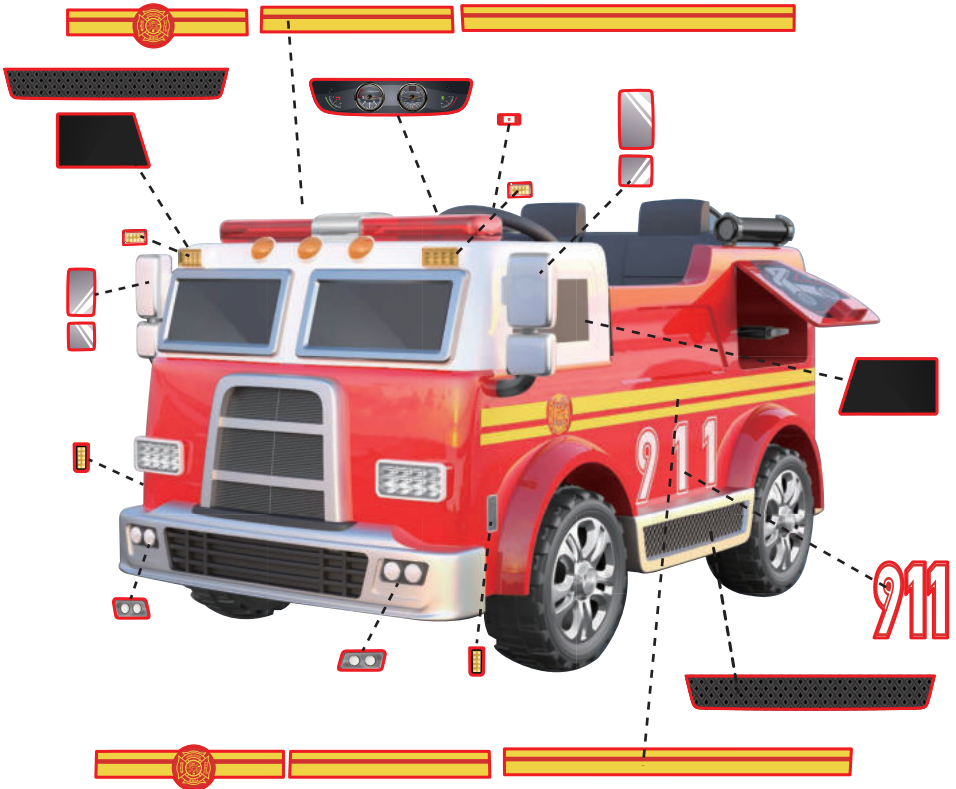
MP3 player function:

volume +/- press the button longer





911



Failures and Solutions

Failures	Possible Reasons	Solutions
The motorcycle doesn't work	<ol style="list-style-type: none"> 1. The batter voltage is too low; 2. Electric protection; 3. The switch hasn't been turned to the right position; 4. The battery connectors go off; 5. The battery is damaged; 6. The electric equipments are is damaged; 7. The motor is damaged 	<ol style="list-style-type: none"> 1. Fully charge the battery; 2. Stop for several minutes and then re-start the motorcycle; 3. Operate according to the function explanation; 4. Re-plug in; 5. Replace it with a new battery; 6. Repair it at the maintenance service center; 7. Repair it at the maintenance service center;
The battery cannot be charged	<ol style="list-style-type: none"> 1. The battery connectors fall off; 2. The charger hasn't been connected to the power supply; 3. The charger is damaged; 	<ol style="list-style-type: none"> 1. Re-plug in; 2. Re-connect to the power supply firmly; 3. Replace the charger;
Short cruising distance per charge	<ol style="list-style-type: none"> 1. The battery is not fully charged; 2. The battery is worn out 	<ol style="list-style-type: none"> 1. Recharge the battery fully; 2. Replace the battery;
Slight noise and heat during charging	<ol style="list-style-type: none"> 1. Chemical reactions 	<ol style="list-style-type: none"> 1. Normal reactions
Slow speed	<ol style="list-style-type: none"> 1. Worn battery; 2. Dead battery; 3. Overloading; 4. Uneven road surface; 	<ol style="list-style-type: none"> 1. Replace the battery; 2. Recharge the battery fully; 3. Reduce the load to be under 35kg; 4. Drive on even road;
Big noise of the gear	<ol style="list-style-type: none"> 1. The gear is damaged; 	<ol style="list-style-type: none"> 1. Repair at the maintenance service center
The motorcycle vibrate during its moving process	<ol style="list-style-type: none"> 1. Poor contact of motor connection wires; 2. There are dead point(s) on the motor; 	<ol style="list-style-type: none"> 1. Re-connect well; 2. Repair at the maintenance service center
No sound rings during the movement of the motorcycle	<ol style="list-style-type: none"> 1. Fail to plug in the connectors of the steering wheel; 	<ol style="list-style-type: none"> 1. Please connect according to the manual;
The motorcycle cannot be stopped	<ol style="list-style-type: none"> 1. The electrical equipment is damaged; 	<ol style="list-style-type: none"> 1. Repair at the maintenance service center

Attention

- Before use, please check whether the car is assembled ok and tightened.
- Do not play on street, road, slope or gutterway.
- Do not play on marble or floor tile.
- Do not change forward/backward switch when car running. Do not let children stand on seat.
- Do not change lines on the car or add other electronic device.
- Do not play car or remote control in rainy day or wet place, do not pull water or other liquid on car. Stay away from fire, or will damage line.
- Meeting obstacle, please stop the car. Remove the obstacle, then playing.
- Do not play car in the room, it may damage furniture and hurt children.
- When remote control battery is low, it only can control forward, can not control right/left and the car may shake. Please change the battery.
- When light and music battery is low, light will quench and no music. Other function is normal. Please change the battery.
- The car only car load 1 child. Maximum is 35KG.
- Please turn off power switch if no play. Long time no use, please disconnect battery plug-in unit.

CATUTION:

How to remove and insert batteries:

- 1:non-rechargeable batteries are not to be recharged;
- 2:different type of batteries or new and used batteries are not to be mixed;
- 3:batteries are to be inserted with the correct polarity;
- 4:exhausted batteries are to be removed from the toy;
- 5:the supply terminals are not to be short-circuited.
- 6:rechargeable batteries are only to be charged under adult supervision;
rechargeable batteries are to be removed from the toy before being charged.

How to remove and insert batteries:

- 1:Take down the screw on the battery cover at the back of the controller and remove the battery cover.
- 2:Add two pcs "AAA" batteries(not included).
- 3:Assemble the battery cover and tighten the screw to fix the battery cover.

Caring for Your Vehicle _____

- 1) Always check and maintain your vehicle in order to ensure your baby accidental injury
- 2) Check all the spare parts whether are completed before assemble the car. If missing, contact with us free.
- 3) Regular inspection screw is loose, the components are not damaged.
- 4) Regular clear the product, note the electric elements are not damaged.
- 5) Disassembly the product according the guide book carefully.
- 6) Regular checking the product and charge, electric wire connection, car body and other details. Once found anything damaged, repair or replace succesful then use again.

