

# Mercedes-Benz GLC 63 S

Ride On Toy



## **WARNING**

Must be assembled by an adult.



- Suitable for 3+ Years
- Maximum user weight: 50kg

# OWNERS MANUAL

## with Assembly Instructions

**Read and understand this entire manual before using!**

Please keep this manual for future reference as it contains important information.  
Before first time use, charge the battery for at least 8-12 hours.

“Mercedes-Benz”,  ,  and the design of the enclosed product are subject to intellectual property protection owned by Daimler AG. They are used by Pinghu City Xiao Ming Xing Children's Products CO.,LTD

## Specification

	2WD	4WD	4WD
Battery	12V7AH X1	12V7AH X2	12V10AH X1
Charger input	12V1000mA	12V1500mA	12V1000mA
Motor	Depend on local voltage		
	550-12000	550-10000	550-10000

<b>Suitable age:</b>	3+ Years
<b>Charge time:</b>	8-12 hours
<b>Load capacity:</b>	Under 50 kg
<b>Size of car:</b>	140 x 76.2 x 64.3 cm
<b>Speed:</b>	2-8 km/h

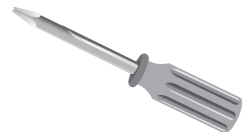


## BATTERY INFORMATION

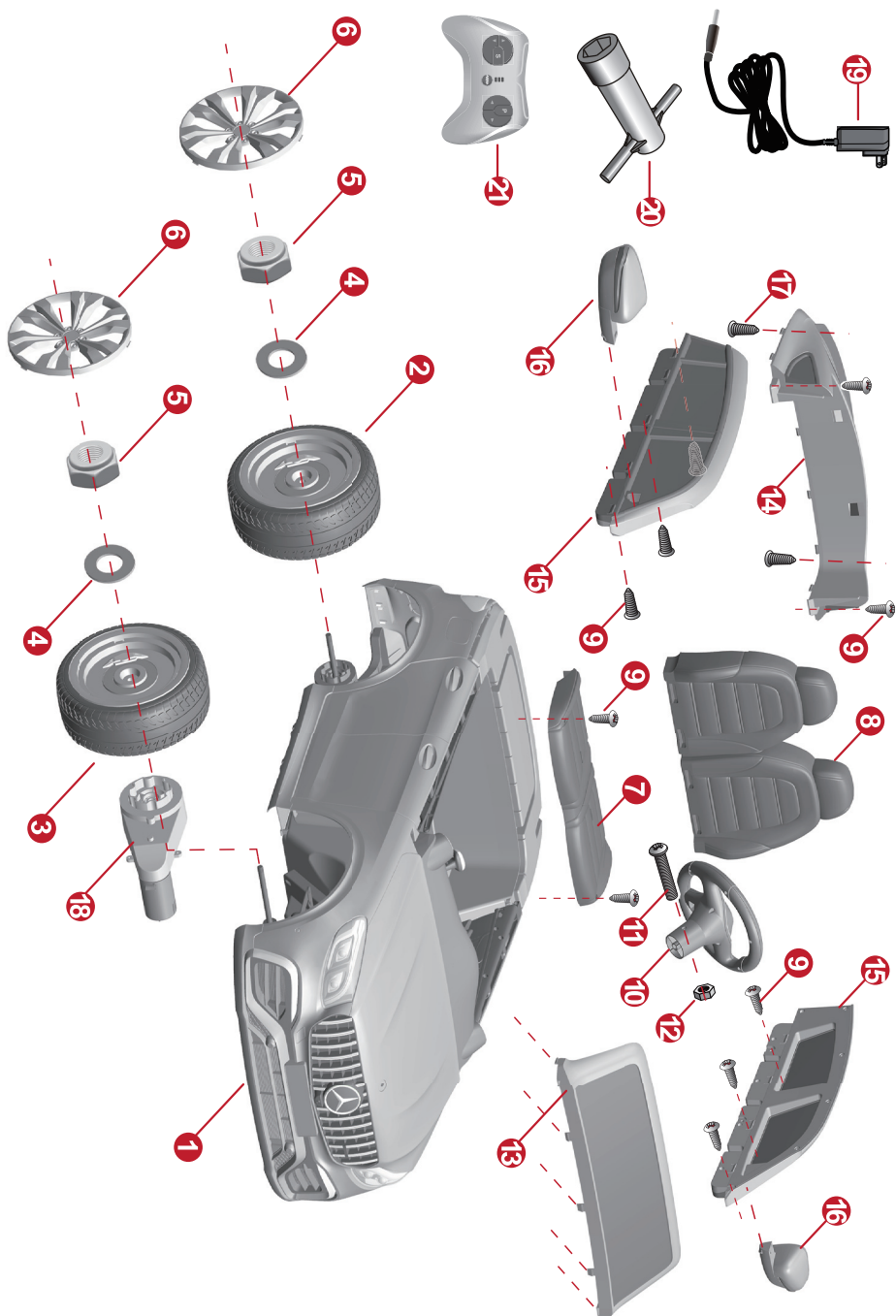
- Non-rechargeable batteries are not to be recharged.
- If removable rechargeable batteries are used, they are only to be charged under adult supervision.
- Remove rechargeable batteries from the product before charging.
- Do not mix old and new batteries. Do not mix different types of batteries: alkaline, standard (carbon-zinc) or rechargeable (nickel-cadmium).
- Insert batteries as indicated inside the battery compartment, anode to anode, cathode to cathode.
- Remove batteries during long periods of non-use. Always remove exhausted batteries from the product. Battery leakage and corrosion can damage this product. Dispose of batteries safely.
- Never short circuit the battery terminals.

NO.	PART NAME	Q'TY (PCS)		REMARK
		4WD	2WD	
1	Vehicle body	1	1	
2	Driving wheel	4	2	
3	Normal wheel	0	2	
4	Φ12 washer	6	8	
5	Lock nut	4	4	
6	Wheel cover	4	4	
7	Seat cushion	1	1	
8	Seat back	1	1	
9	Ø4x12 screw	10	10	
10	Steering wheel	1	1	
11	M5X45 machine screw	1	1	
12	Φ5 nut	1	1	
13	Windshield	1	1	
14	Rear window	1	1	
15	Side window	2	2	left and right
16	Wing mirror	2	2	left and right
17	Ø4x20 screw	2	2	
18	Front gear box	2	0	If equipped, only for type 4WD
19	Charger	1	1	
20	Spanner	2	2	
21	Remote controller	1	1	If equipped, only for type R/C

- Assembly tools required:



Screwdriver (not included)



HINT: Some parts shown are assembled on both sides of vehicle

**PREVENT INJURIES AND DEATHS:**

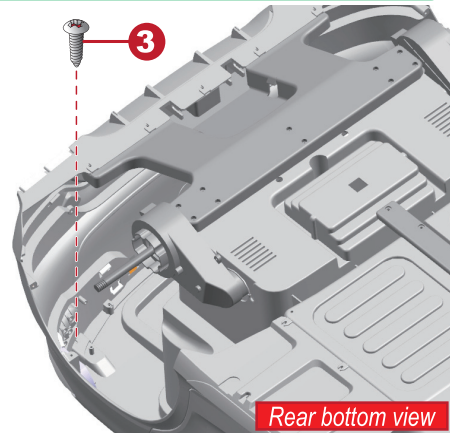
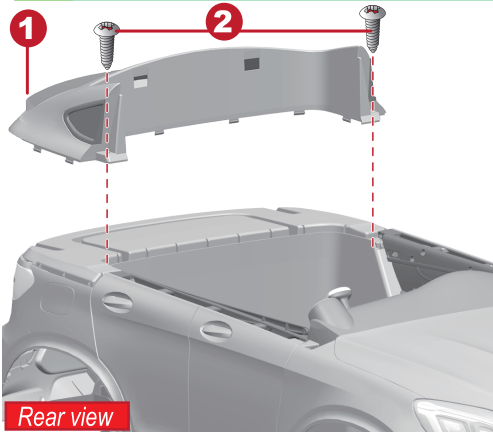
- **NEVER LEAVE CHILD UNATTENDED. ADULT DIRECT SUPERVISION IS REQUIRED.** Always keep child in view when child is in vehicle.
- This toy should be used with caution since skill is required to avoid falls or collisions causing injury to the user or third parties.
- Protective equipment should be worn.
- Never use in roadways, near cars, on or near steep inclines or steps, swimming pools or other bodies of water.
- Always wear shoes, always sit on the seat.
- Not to be used in traffic.
- This toy is unsuitable for children under 36 months due to its maximum speed; Maximum user weight is 50 kg.
- This toy has no brake.

**WARNING:**

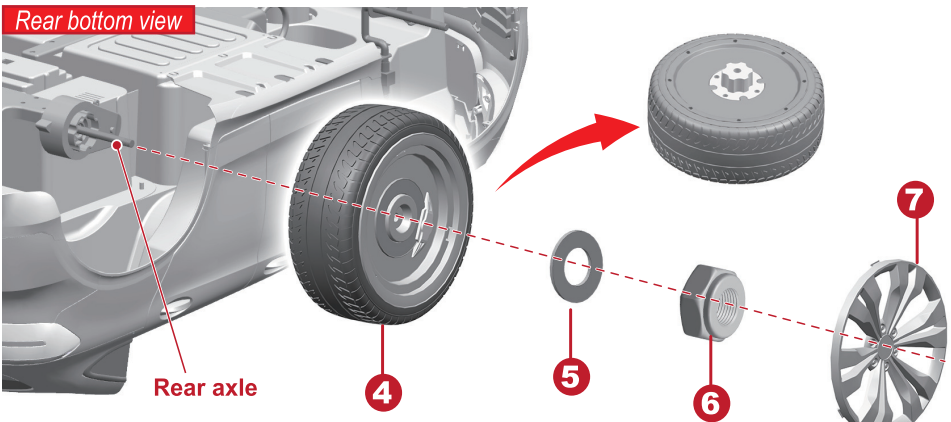
- **CHOKING HAZARD!** Not suitable for children under 36 months.
- **ADULT ASSEMBLY REQUIRED.**

**Rules for Safe Riding**

- Keep Children within Safe Riding Areas:
  - Never use in roadway, near motor vehicles, on lawn space, on or near steep inclines or steps, swimming pools or other bodies of water;
- Use the toy only on flat surfaces. Such as inside your house, garden or playground.
- Never use in the dark. A child could encounter unexpected obstacles and have an accident. Operate the vehicle only in the daytime or a well-lit area.
- It is prohibited to change the circuit or add other electric parts
- Inspect wires and connections of the vehicle periodically.
- Do not let any child touch the wheels or be near them when the car is moving .
- This vehicle has adjustable play seat belts. Please instruct children how to tie the safety belt before using, guarantee the security.



1. Fit the tabs on the rear window into the grooves on the vehicle.
2. Tighten two  $\text{\O}4 \times 12$  screws through the rear window and into the vehicle body with a screwdriver.
3. Turn the vehicle body downside up. Insert two  $\text{\O}4 \times 20$  screws through the vehicle body and into the rear window and tighten with a screwdriver.

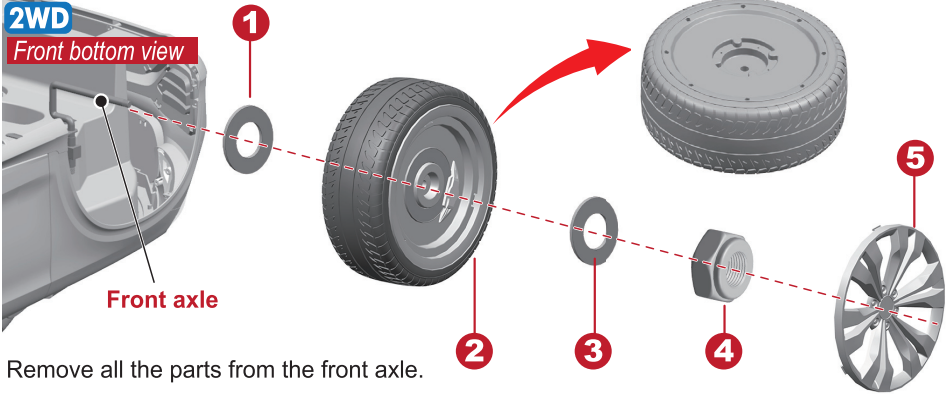


4. Slide a driving wheel onto the rear axle.
5. Slide a  $\text{\O}12$  washer onto the rear axle.
6. Tighten a lock nut to the end of the rear axle with a spanner.

Repeat for the other rear wheel.

**Hint:** An extra spanner has been provided to hold the lock nut on the other side of the rear axle while tightening the lock nut on the other side.

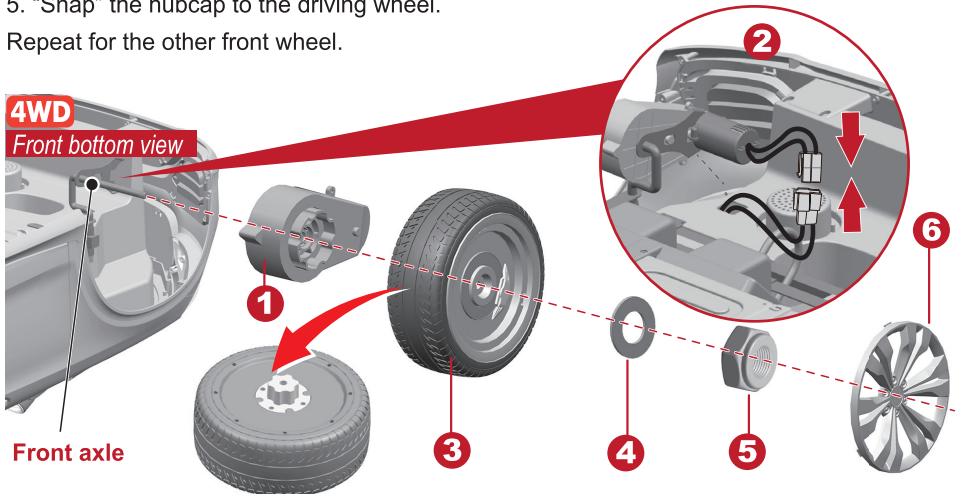
7. "Snap" the hubcap to the driving wheel.



Remove all the parts from the front axle.

1. Slide a  $\varnothing 12$  washer onto the front axle.
2. Slide a normal wheel onto the front axle.
3. Slide a  $\varnothing 12$  washer onto the front axle.
4. Tighten a lock nut to the end of the front axle with a spanner.
5. “Snap” the hubcap to the driving wheel.

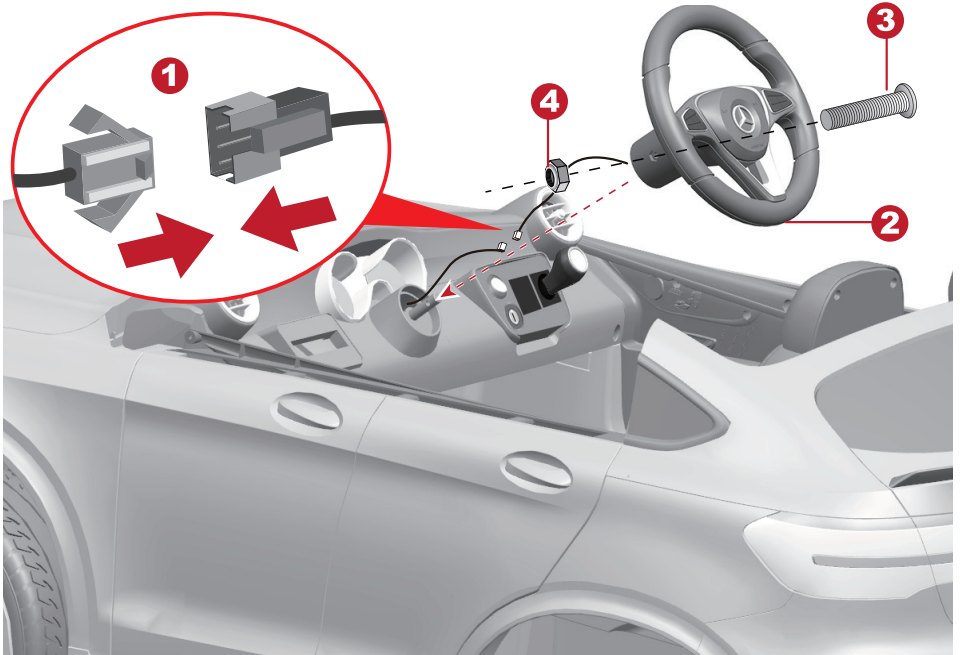
Repeat for the other front wheel.



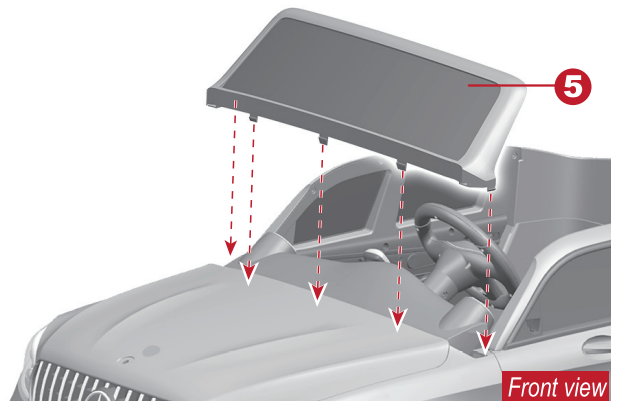
Remove all the parts from the front axle.

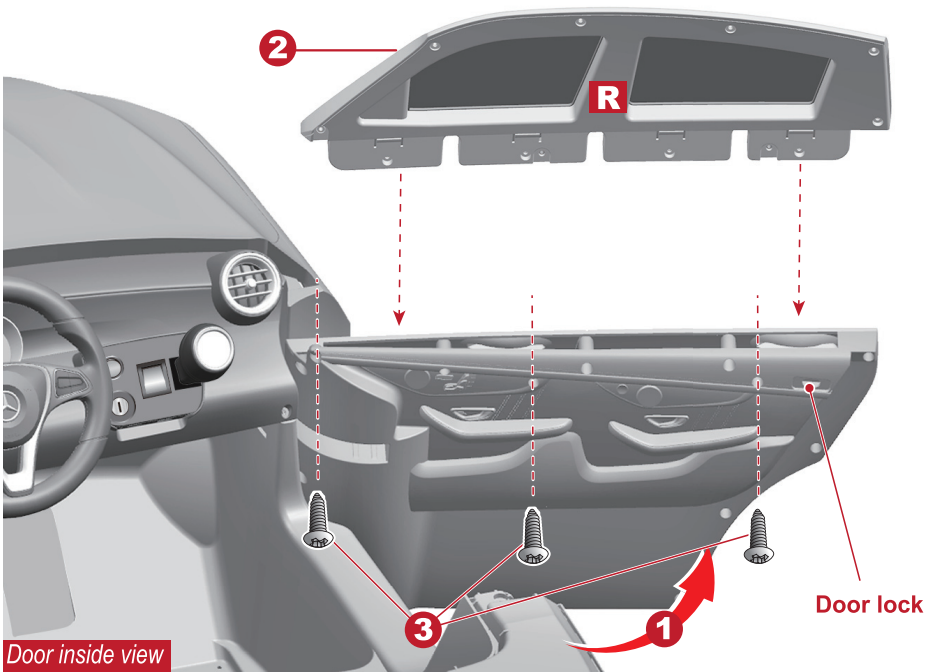
1. Slide a front gear box onto the front axle.
2. Plug the connector on the front gear box into the connector on the vehicle body.
3. Slide a normal wheel onto the front axle.
4. Slide a  $\varnothing 12$  washer onto the front axle.
5. Tighten a lock nut to the end of the front axle with a spanner.
6. “Snap” the hubcap to the driving wheel.

Repeat for the other front wheel.



1. Plug the sound unit connector on the steering wheel into the connector on the vehicle body.
2. Fit the steering wheel to the end of the steering column.
3. Line up the holes on the steering wheel with the holes on the steering column, insert the M5x45 machine screw.
4. Fasten a nut on the opposite end of the screw with a screwdriver.
5. Insert the tabs on the windshield into the slots on the vehicle, push until you hear "click" into place.



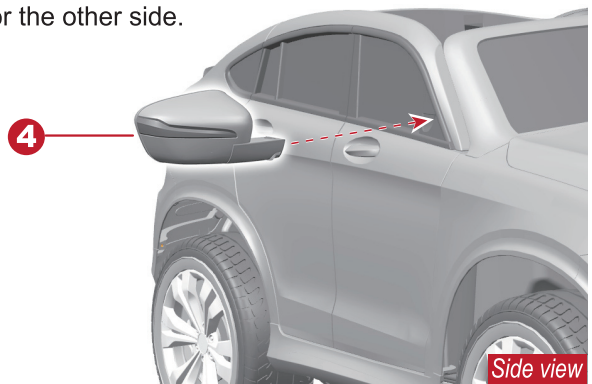


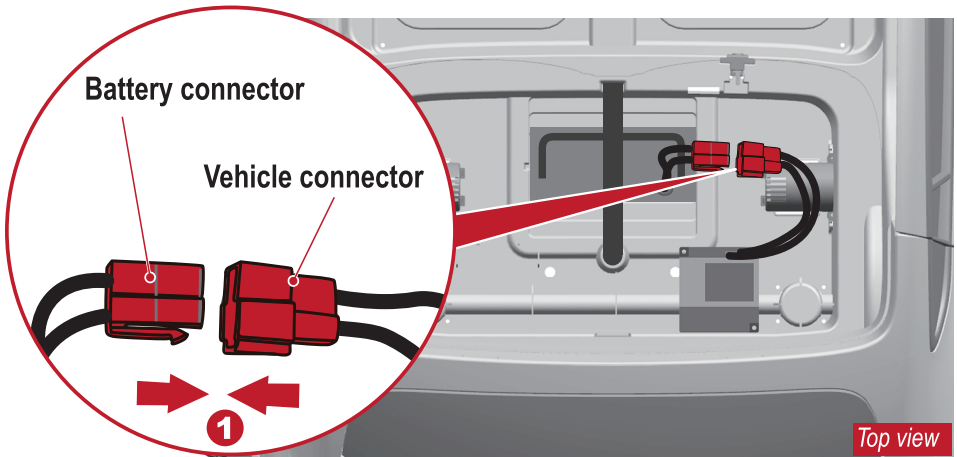
Turn the vehicle body upright.

1. Press the door lock inside the door, and open it.
2. Fit the side window ("R" labeled) into the grooves on the top of the door.
3. Tighten three Ø4x12 screws into the holes on the door and into the side window with a screwdriver.

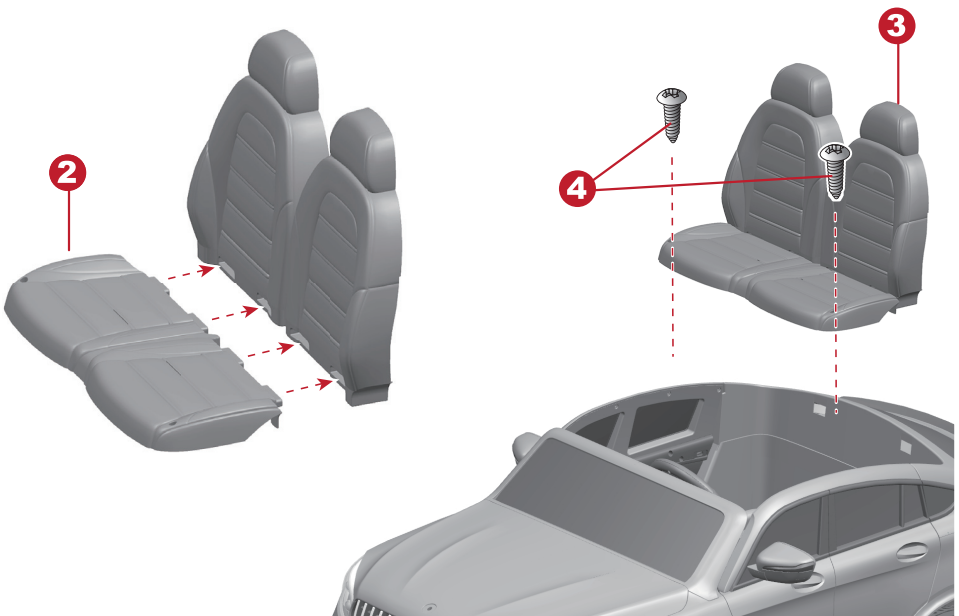
Repeat for the other side window.

4. Insert the wing mirror into the groove on the side window. Push until you hear it "click" into place. Repeat for the other side.



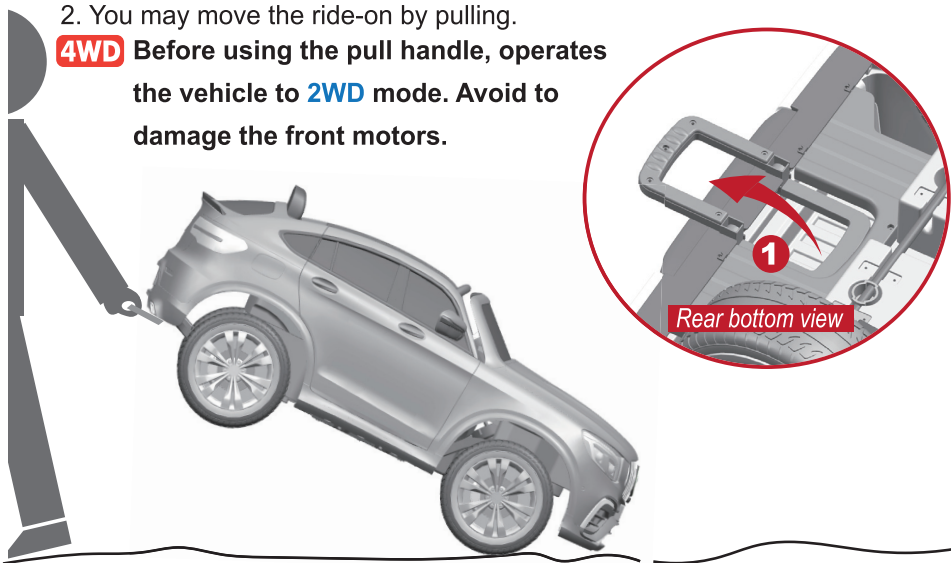


1. Plug the Red connector on the vehicle into the red connector on the battery.
2. Fit the seat cushion into the seat back.
3. Insert the tabs on the back of seat into the slots on the vehicle body.
4. Insert two  $\text{\O}4 \times 12$  screws and tighten.



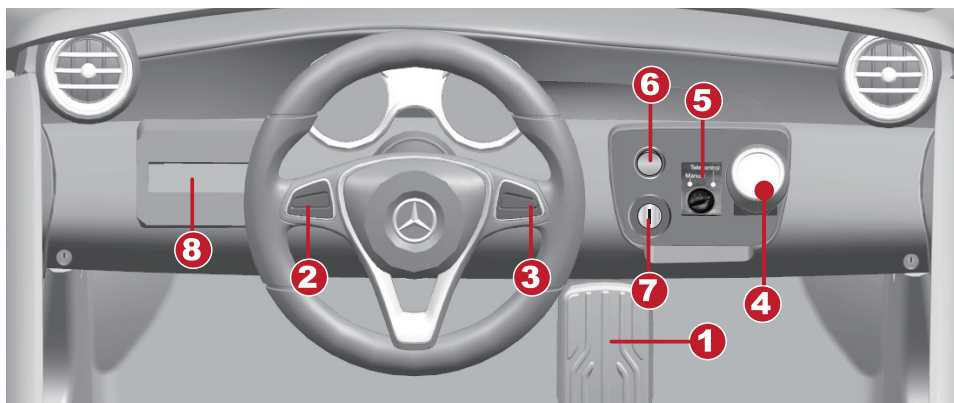
1. Rotate the pull handle out. The pull handle is below the trailer gate.
2. You may move the ride-on by pulling.

**4WD** Before using the pull handle, operates the vehicle to **2WD** mode. Avoid to damage the front motors.



## Using Your New Vehicle

## G



- 1. Foot pedal:**
  - To move the vehicle, press the pedal down.
  - To brake or slow down, release pressure from the pedal.
- 2. Horn button:**  
Press for horn playing
- 3. Next / Increase volume button:**  
Long press for + volume.
- 4. High/low speed Forward/Reverse level:**

Changes the direction that vehicle moves from forward to reverse. The vehicle equipped with 2 speeds in forward: high speed and low speed.

**HINT: The vehicle is designed to operate in low speed only in reverse.**

**5. Manual /telecontrol switch:**

Need to use a flat screwdriver or other tools to change the manual or telecontrol switch.

**6. Lights switch:** Turn the lights on and off.

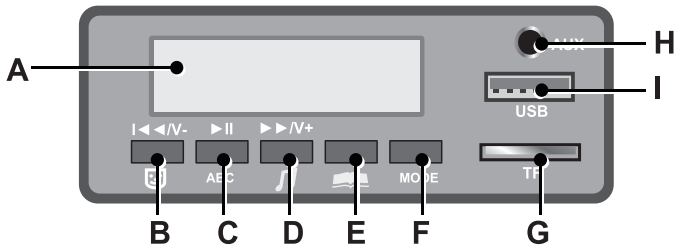
**7. Key start:** Turn the vehicle on and off.



**IMPORTANT!**

Always stop vehicle when changing the speed or direction to avoid damage the gears and motor.

**8. Multi-function mp3:**



**A. Display screen:** It displays the power level of the battery when the vehicle stops. When the numerical value is less than 12, recharge the battery please.

**B. Previous / decrease volume**

**C: Play / Pause**

**D. Next / Increase volume**

**E. Storytelling mode**

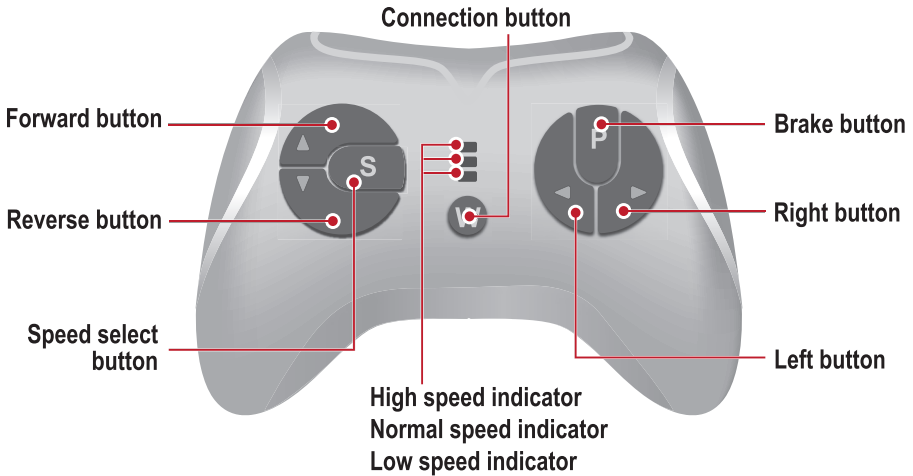
**F. Change the audio input from the FM radio (if equipped), USB, TF card , AUX and bluetooth(if equipped)**

In the FM radio mode, long press button C (play/pause) for radio searching.

**G. TF card slot.**

**H. 3.5mm AUX input:** Allow the audio from your portable music player or phone to be played through the vehicle speakers. MP3 format ONLY.

**I. USB interface:** Allow the audio from your portable device to be played through the vehicle speakers. MP3 format ONLY.



## Attach the batteries of controller

Lift the battery compartment door on the back of the controller and insert two AAA(LR03) batteries.

**HINT: Batteries not included. Refer to the Battery Information on the page 1.**

### 1. Connection button (Build connection)

Long press the Connection buttons for 3 seconds, and the low speed indicator flashes. Then power on the vehicle, the low speed indicator goes to long bright, means the connection successful. If the low speed indicator no response, means the connection failed. Replace the batteries and retry.

### 2. Brake button

Press the button to stop the vehicle, press it again to release the brake.

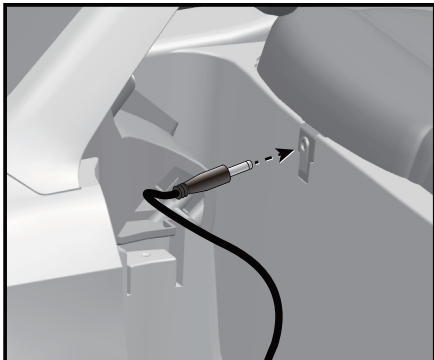
### 3. Speed select button

The switch operates the vehicle to move in low, normal and high speed.

**HINT: This switch won't work while your vehicle moves reverse.**

## NOTE:

- Leave the remote controller idling for about 10 seconds, it will shut down automatically.
- Rebuild connection when you replace the batteries of the remote controller.



- The POWER SWITCH must be turned in **OFF** position when charging.
- After each use or once a month minimum recharge time as 8 to 12 hours, less than 20 hours at most.
- When the vehicle begins to run slowly, recharge the battery.
  1. Plug the charger port into the input socket. (on the dash)
  2. Plug the charger plug into a wall outlet. The battery will begin charging.



## WARNING!

This product with **Charging Protection**: when charging, all functions will be cut off! Only an adult can charge and recharge the battery!

- It is parents' responsibility to check main parts of the toy before using. Must regularly examine for potential hazard, such as the battery, charge, cable or cord, plug, screws are fastening enclosure of other parts and that in the event of such damage, the toy must not be used until that damage had been properly removed.
- Make sure the plastic parts of the vehicle are not cracked or broken.
- Occasionally use a lightweight oil to lubricate moving parts such as wheels.
- Park the vehicle indoors or cover it with a tarp to protect it from wet weather.
- Keep the vehicle away from sources of heat, such as stoves and heaters. Plastic parts may melt.
- Recharge the battery after each use. Only an adult can handle the battery. Recharge the battery at least once a month when the vehicle Raider is not being used.
- Do not wash the vehicle with a hose. Do not wash the vehicle with soap and water. Do not drive the vehicle in rainy or snowy weather. Water will damage the motor, electric system and battery.
- Clean the vehicle with a soft, dry cloth. To restore shine to plastic parts, use a non-wax furniture polish. Do not use car wax. Do not use abrasive cleaners.
- Do not drive the vehicle in loose dirt, sand or fine gravel which could damage the moving parts, motors or the electric system.
- When not using, all the electrical source should be turn off. Turn off the power switch and disconnect the battery connection.

Problem	Possible Cause	Solution
Vehicle does not run	Battery low on power	Recharge battery.
	Thermal fuse has tripped	Reset fuse, see <Fuse>
	Battery connector or wires are loose	Check that the battery connectors are firmly plugged into each other. If wires are loose around the motor <b>contact your distributor please.</b>
	Battery is dead	Replace battery, <b>contact your distributor please.</b>
	Electrical system is damaged	<b>Contact your distributor please.</b>
	Motor is damaged	<b>Contact your distributor please.</b>
Vehicle does not run very long	Battery is under charged	Check that the battery connectors are firmly plugged into each other when recharging
	Battery is old	Replace battery, <b>contact your distributor please.</b>
Vehicle runs sluggishly	Battery low on power	Recharge battery, <b>contact your distributor please.</b>
	Battery is old	Replace battery, <b>contact your distributor please.</b>
	Vehicle is overload	Reduce weight on vehicle. Maximum user weight is 50 kg.
	Vehicle is being used in harsh conditions	Avoid using vehicle in harsh conditions ,see <Safety>.
Vehicle needs a push to go forward	Poor contact of wires or Connectors	Check that the battery connectors are firmly plugged into each other. If wires are loose around the motor, <b>contact your distributor please.</b>
	“Dead Spot” on motor	A dead spot means the electric power is not being delivered to the terminal connection and the vehicle needs repair. <b>Contact your distributor please.</b>
Difficult shifting from forward to reverse or vice-versa	Attempting to shift while the vehicle is motion	Completely stop the vehicle and shift, see <Use Your New Vehicle>
Loud grinding or clicking noises coming from motor or gear box	Motor or gears are damaged	<b>Contact your distributor please.</b>
Battery will not recharge	Battery connector or adapter connector is loose	Check that the battery connectors are firmly plugged into each other.
	Charger not plugged in	Check that the battery charger is plugged into a working wall outlet.
	Charger is not working	<b>Contact your distributor please.</b>
Charger feels warm when recharging	This is normal and not a cause for concern	

Completely read through this manual and the troubleshooting guide table before calling. If you still need help resolving the problem **Contact your distributor please.**

## Disposal Of Battery



- Your sealed lead-acid battery must be recycled or disposed of in an environmentally sound manner.
- Do not dispose of your lead-acid battery in a fire. The battery may explode or leak.
- Do not dispose of a lead-acid battery in your regular, household trash. The incineration, land filling or mixing of sealed lead-acid batteries with household trash is prohibited by law.

Our products are suitable for ASTM F963; GB6675; EN71 and EN62115 standard.